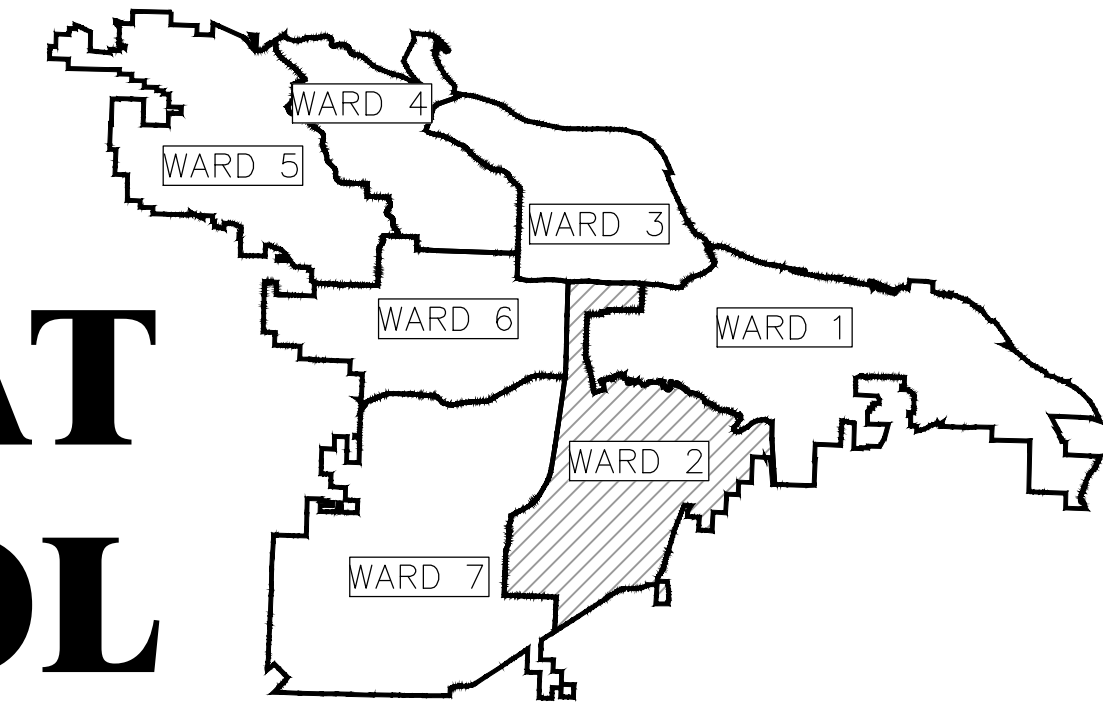
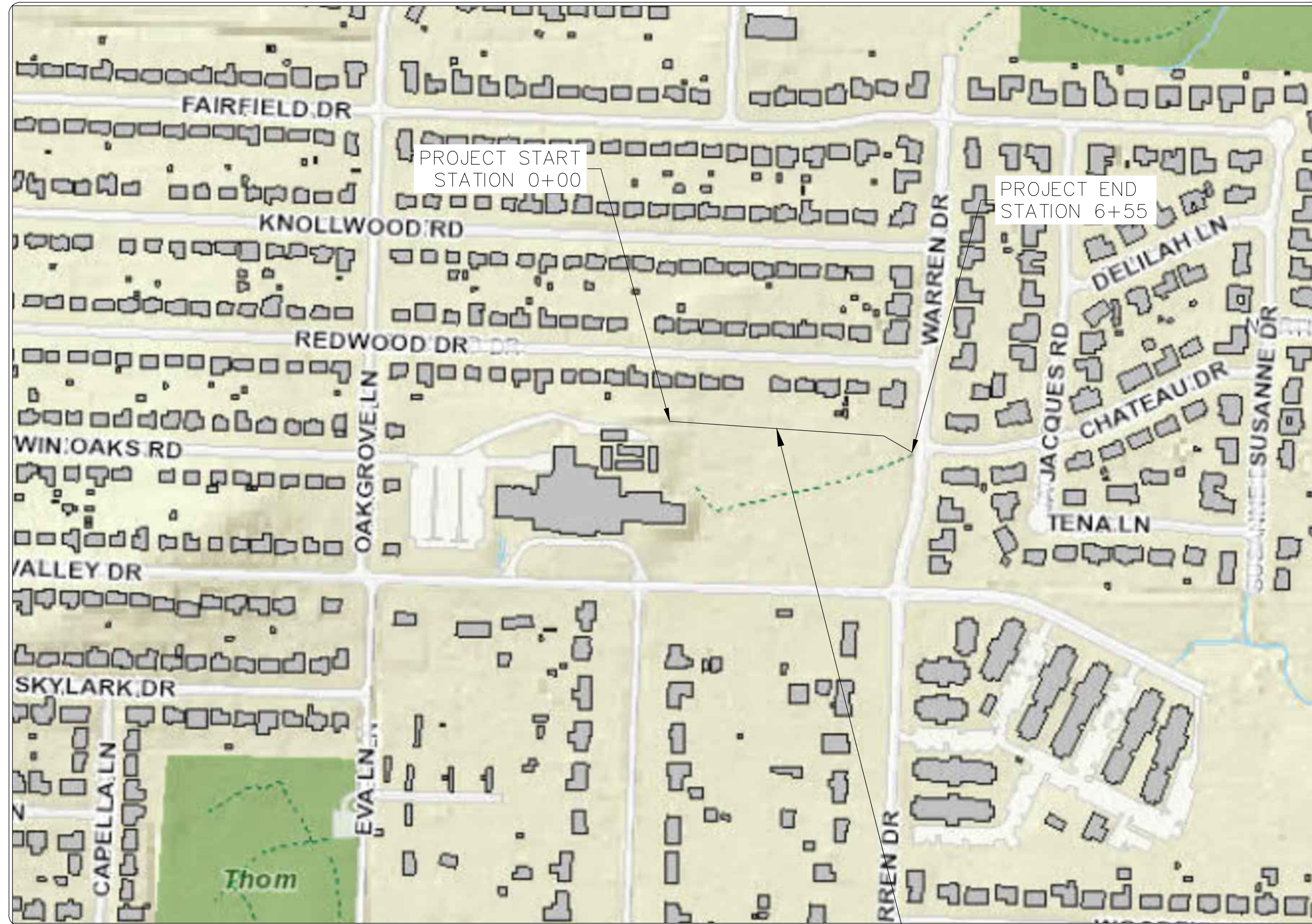


# CLR PROJECT # 02-22-DR-09 REDWOOD DRIVE DRAINAGE AT WATSON ELEMENTARY SCHOOL



PROJECT LOCATION - WARD 2



PROJECT LOCATION

| SHEET # | INDEX OF DRAWINGS            |
|---------|------------------------------|
| C1      | COVER SHEET                  |
| C2      | GENERAL NOTES AND QUANTITIES |
| C3      | PROJECT SITE OVERVIEW        |
| C4      | PLAN AND PROFILE SHEET I     |
| C5      | PLAN AND PROFILE SHEET II    |
| C6      | PLAN AND PROFILE SHEET III   |
| C7      | EROSION CONTROL PLAN         |
| C8      | DETAILS                      |

## ISSUED FOR CONSTRUCTION

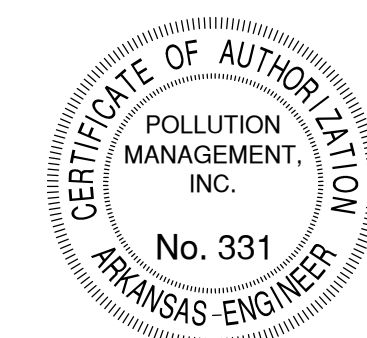


### BOND PROGRAM

DEPARTMENT OF PUBLIC WORKS  
CIVIL ENGINEERING  
701 WEST MARKHAM STREET  
LITTLE ROCK, ARKANSAS 72201



3512 S. SHACKLEFORD RD.  
LITTLE ROCK, AR 72205



| REVISIONS | DATE |
|-----------|------|
|           |      |

CITY OF LITTLE ROCK, ARKANSAS  
REDWOOD DRIVE DRAINAGE AT WATSON ELEMENTARY SCHOOL

COVER SHEET

DEPARTMENT OF PUBLIC WORKS  
CIVIL ENGINEERING  
701 W. MARKHAM  
LITTLE ROCK, ARKANSAS 72201



DRAWN BY  
CTG  
DESIGNED  
CTG  
CHECKED  
BJW  
DATE  
6-5-2024  
SCALE  
N.T.S.

PROJECT NO.  
CLR 02-22-DR-09  
SHEET NO.

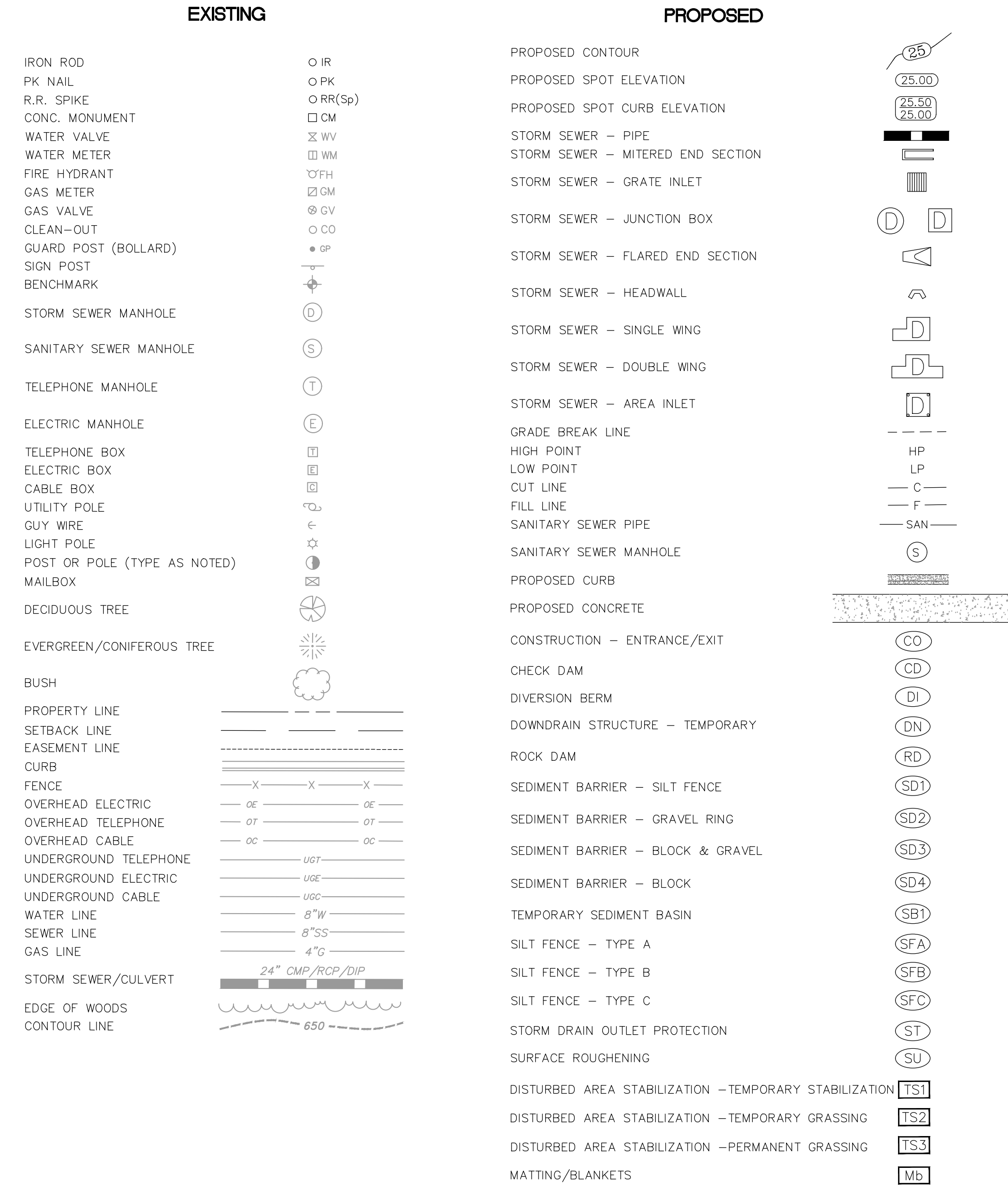
C1

| REVISIONS | DATE |
|-----------|------|
|           |      |
|           |      |

| Redwood Drive Drainage at Watson Elementary School |                                |       |                    |
|--|--------------------------------|-------|--------------------|
| List of Quantities                                 |                                |       |                    |
| Item No.   | Item Description               | Units | Estimated Quantity |
| 2.01   | Site Preparation               | LS    | 1                  |
| 3.01   | Unclassified Excavation        | CY    | 610                |
| 9.04   | Concrete Sidewalk (4" Thick)   | SF    | 37                 |
| 11.06  | Reinforced Concrete Headwall   | EA    | 1                  |
| 13.24S   | 24" Storm Side Drain           | LF    | 53                 |
| 13.61  | Tie Into Existing Junction Box | EA    | 1                  |
| 19.01  | Final Cleanup                  | LS    | 1                  |
| 24.19  | Matting/Blankets (MB)          | SF    | 11500              |
| SP   | As-Built (Record) Drawings     | LS    | 1                  |

| Tree Removal |          |
|--------------|----------|
| Description  | Quantity |
| 24" Oak      | 3        |
| 24" Pine     | 2        |
| 36" Pine     | 1        |
| 6" Pine      | 1        |
| 18" Gum      | 2        |
| <b>TOTAL</b> | <b>9</b> |

NOTE:  
TREE REMOVAL SHALL BE INCLUDED AS PART OF THE SITE PREPARATION.



CITY OF LITTLE ROCK, ARKANSAS  
 REDWOOD DRIVE DRAINAGE AT WATSON ELEMENTARY SCHOOL  
 GENERAL NOTES AND QUANTITIES

DEPARTMENT OF PUBLIC WORKS  
 CIVIL ENGINEERING  
 701 W. MARKHAM  
 LITTLE ROCK, ARKANSAS 72201



DRAWN BY  
**CTG**  
 DESIGNED  
**CTG**  
 CHECKED  
**BJW**  
 DATE  
**6-5-2024**  
 SCALE  
**N.T.S.**  
 PROJECT NO.  
**CLR 02-22-DR-09**  
 SHEET NO.  
**C2**

**ISSUED FOR CONSTRUCTION**

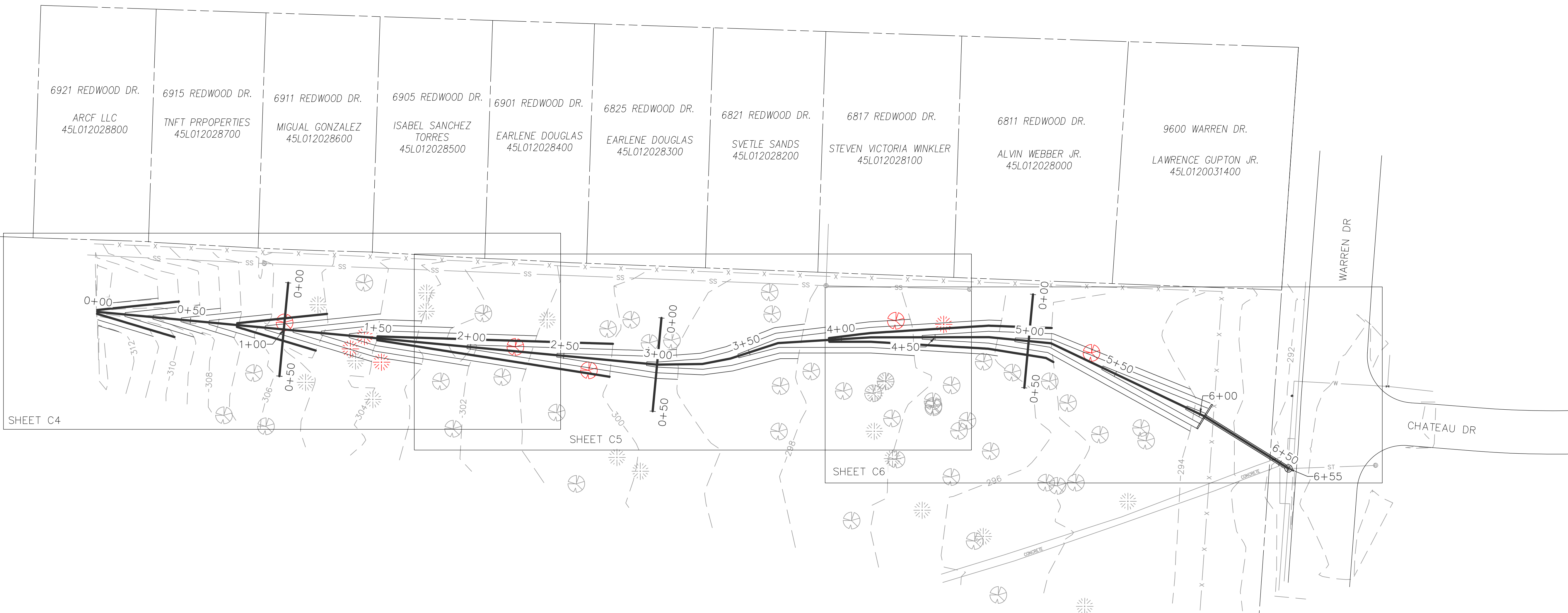
| REVISIONS | DATE |
|-----------|------|
|           |      |
|           |      |

**CITY OF LITTLE ROCK, ARKANSAS**  
**REDWOOD DRIVE DRAINAGE AT WATSON ELEMENTARY SCHOOL**  
**PROJECT SITE OVERVIEW**

**DEPARTMENT OF PUBLIC WORKS**  
**CIVIL ENGINEERING**  
**701 W. MARKHAM**  
**LITTLE ROCK, ARKANSAS 72201**



**DRAWN BY**  
**CTG**  
**DESIGNED**  
**CTG**  
**CHECKED**  
**BJW**  
**DATE**  
**6-5-2024**  
**SCALE**  
**1" = 30'**  
**PROJECT NO.**  
**CLR 02-22-DR-09**  
**SHEET NO.**  
**C3**

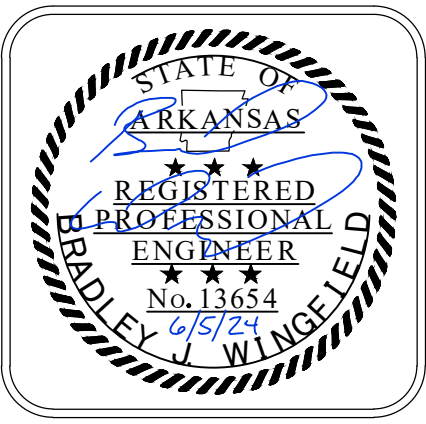


**GRAPHIC SCALE**  
  
**ISSUED FOR CONSTRUCTION**

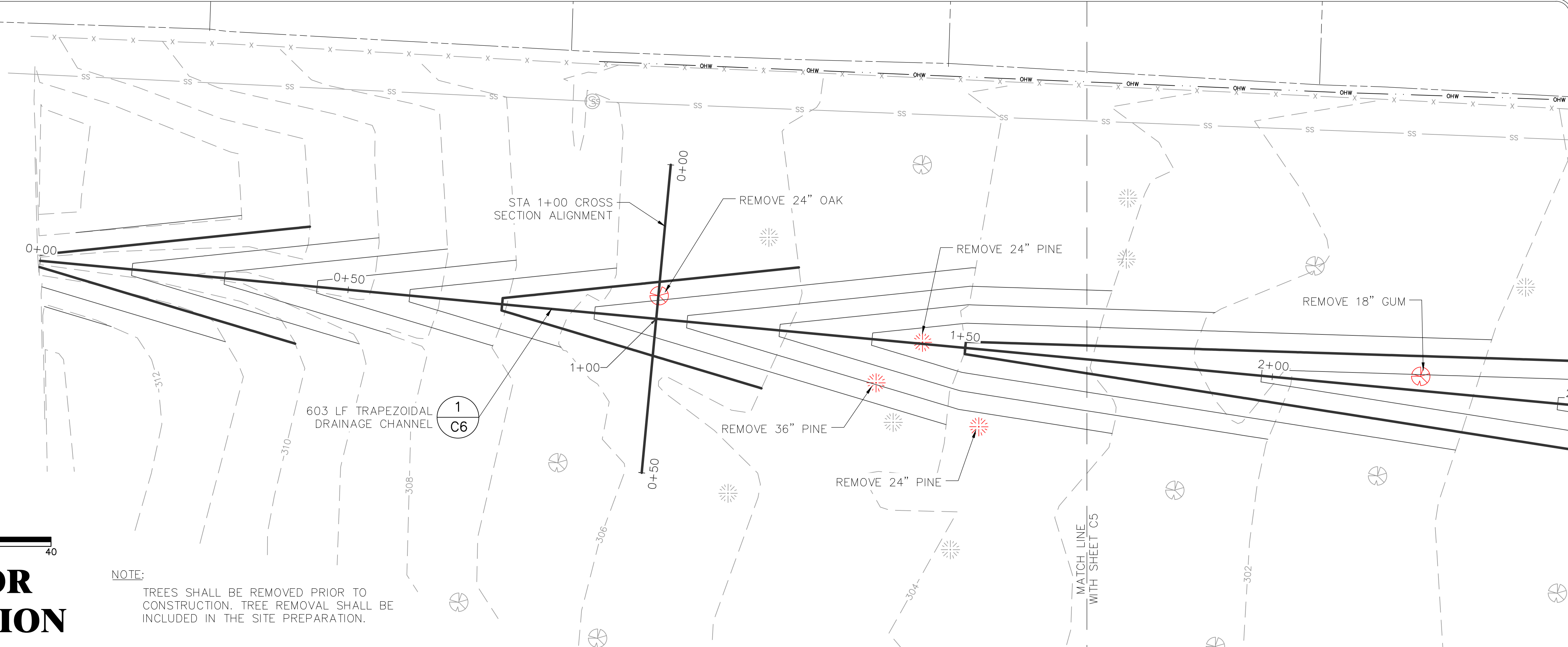
| REVISIONS | DATE |
|-----------|------|
|           |      |
|           |      |

CITY OF LITTLE ROCK, ARKANSAS  
 REDWOOD DRIVE DRAINAGE AT WATSON ELEMENTARY SCHOOL  
 PLAN AND PROFILE SHEET I

DEPARTMENT OF PUBLIC WORKS  
 CIVIL ENGINEERING  
 701 W. MARKHAM  
 LITTLE ROCK, ARKANSAS 72201



**DRAWN BY**  
CTG  
**DESIGNED**  
CTG  
**CHECKED**  
BJW  
**DATE**  
6-5-2024  
**SCALE**  
1" = 10'  
**PROJECT NO.**  
CLR 02-22-DR-09  
**SHEET NO.**  
C4

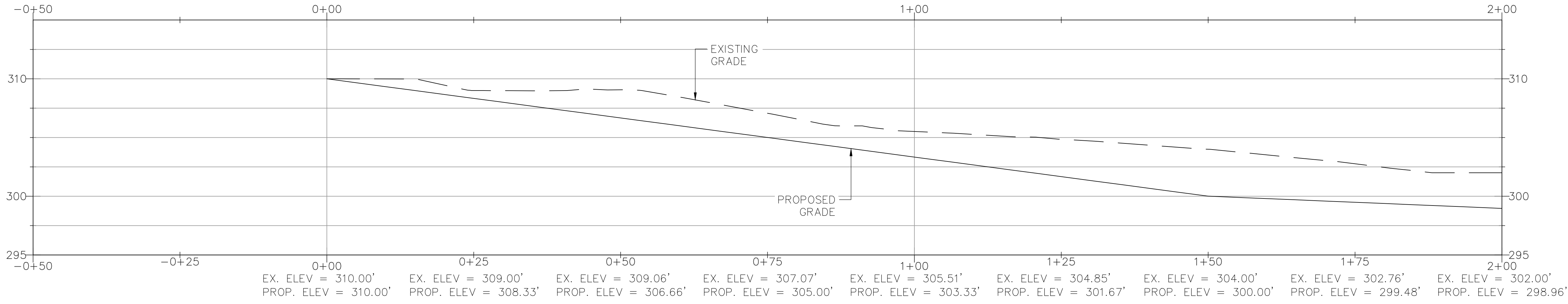


NOTE:  
 TREES SHALL BE REMOVED PRIOR TO  
 CONSTRUCTION. TREE REMOVAL SHALL BE  
 INCLUDED IN THE SITE PREPARATION.

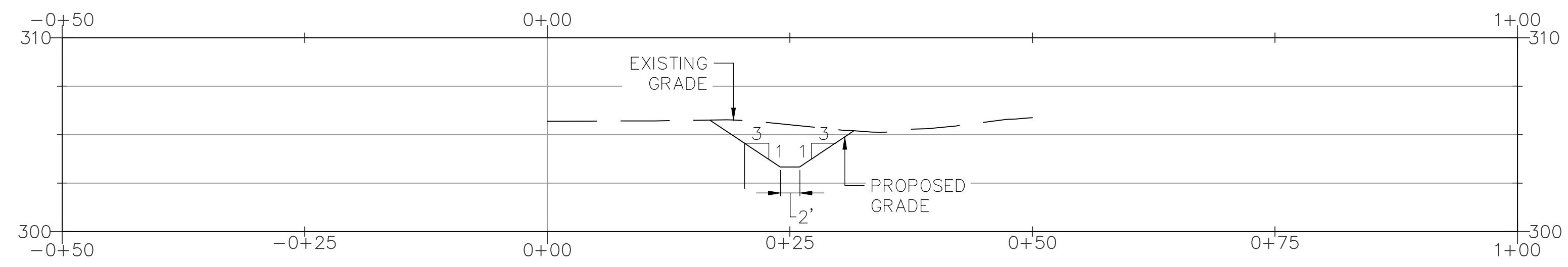
GRAPHIC SCALE  
 0 5 10 20 30 40

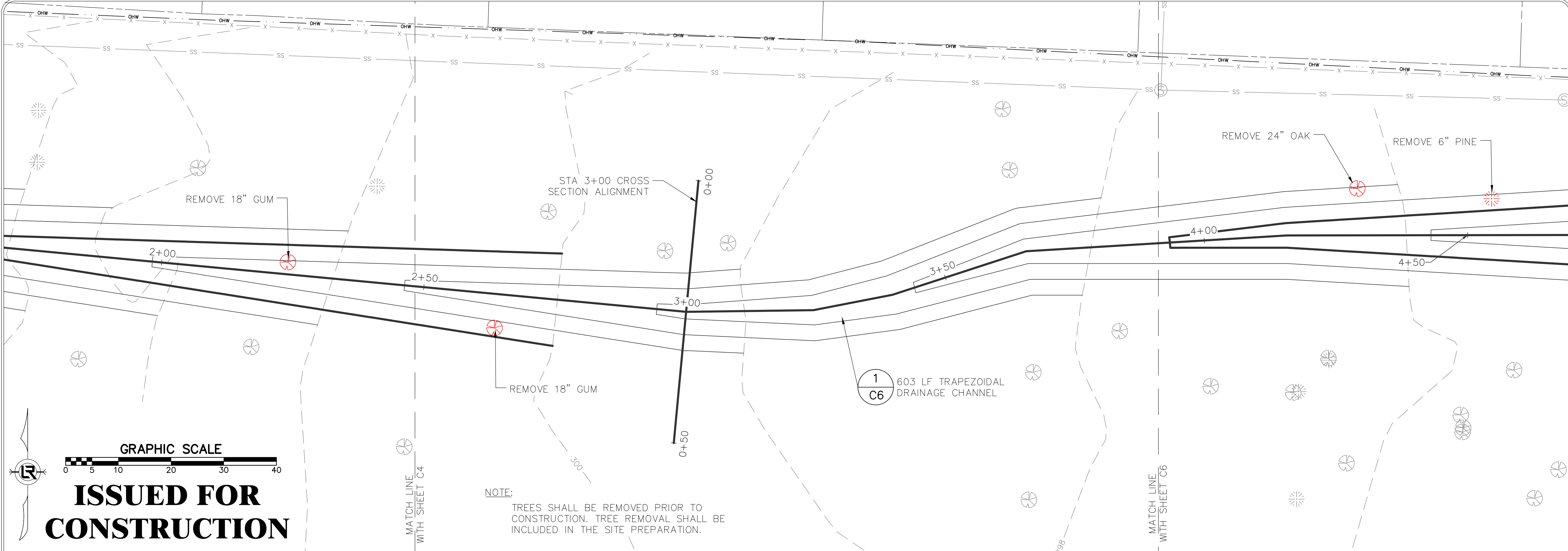
**ISSUED FOR  
 CONSTRUCTION**

STORWATER DRAINAGE SYSTEM PROFILE



STA 1+00 CROSS SECTION PROFILE

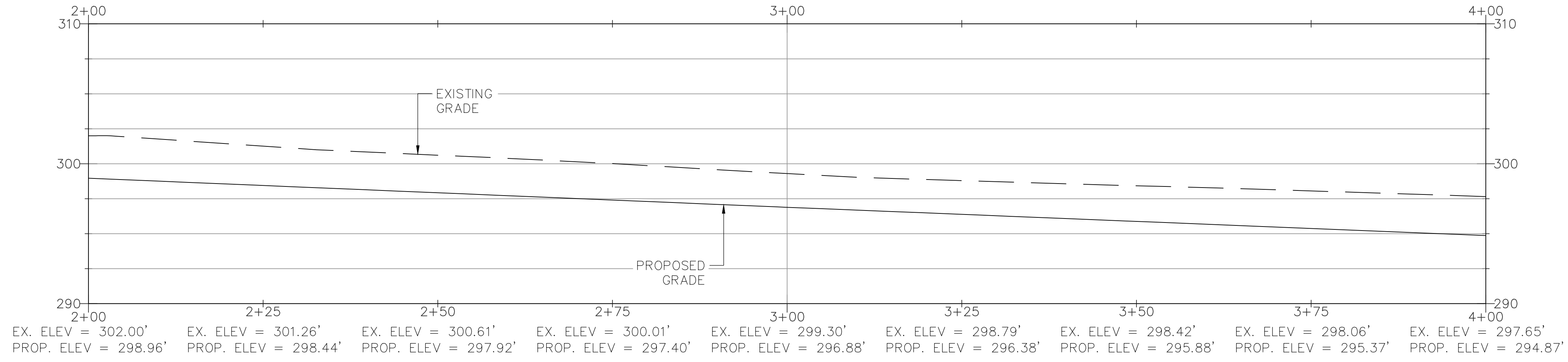




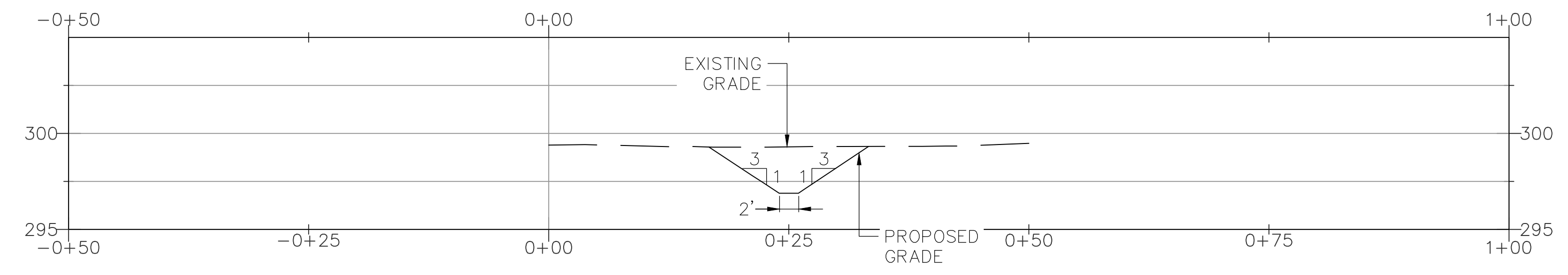
GRAPHIC SCALE  
 0 5 10 20 30 40  
**ISSUED FOR CONSTRUCTION**

NOTE:  
 TREES SHALL BE REMOVED PRIOR TO CONSTRUCTION. TREE REMOVAL SHALL BE INCLUDED IN THE SITE PREPARATION.

STORWATER DRAINAGE SYSTEM PROFILE



STA 3+00 CROSS SECTION PROFILE



| REVISIONS | DATE |
|-----------|------|
|           |      |

CITY OF LITTLE ROCK, ARKANSAS  
 REDWOOD DRIVE DRAINAGE AT WATSON ELEMENTARY SCHOOL  
 PLAN AND PROFILE SHEET II

DEPARTMENT OF PUBLIC WORKS  
 CIVIL ENGINEERING  
 701 W. MARKHAM  
 LITTLE ROCK, ARKANSAS 72201

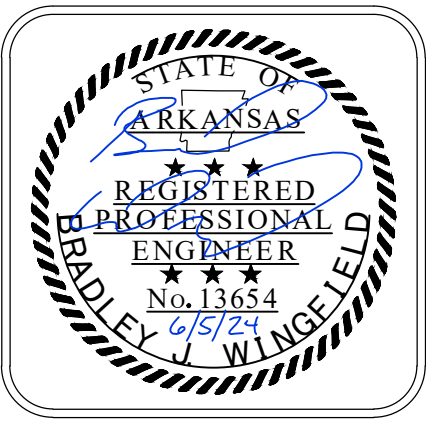


DRAWN BY  
 CTG  
 DESIGNED  
 CTG  
 CHECKED  
 BJW  
 DATE  
 6-5-2024  
 SCALE  
 1" = 10'  
 PROJECT NO.  
 CLR 02-22-DR-09  
 SHEET NO.  
 C5

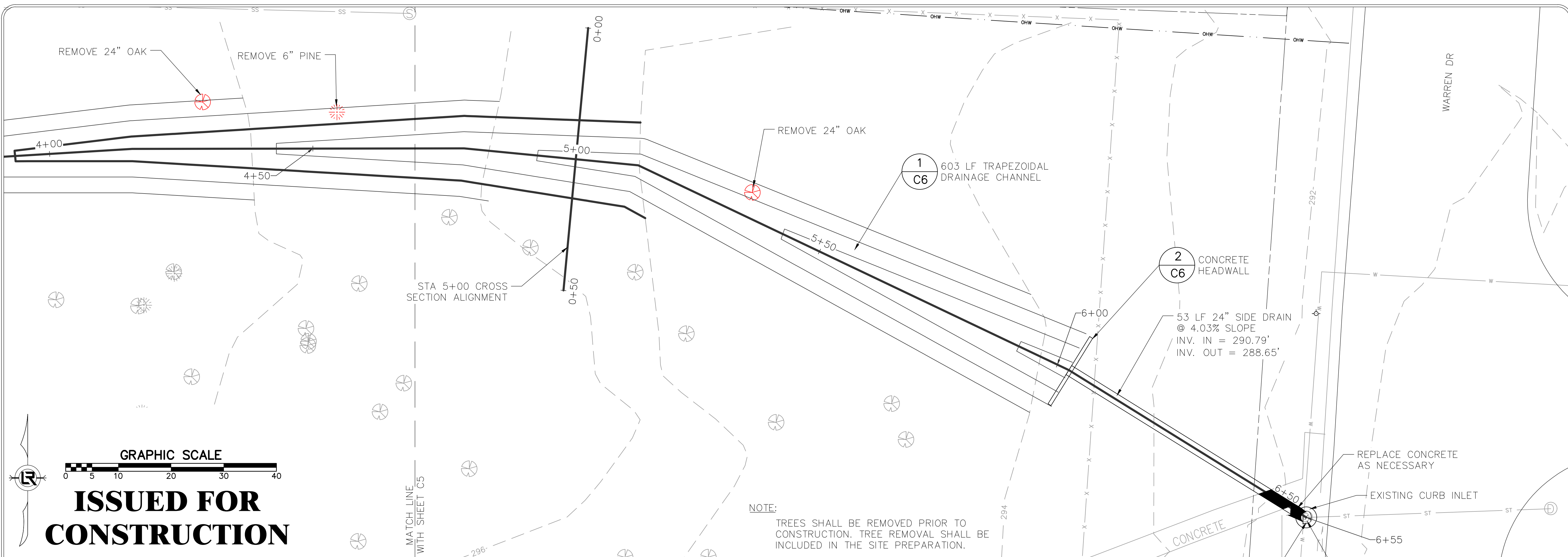
| REVISIONS | DATE |
|-----------|------|
|           |      |

CITY OF LITTLE ROCK, ARKANSAS  
 REDWOOD DRIVE DRAINAGE AT WATSON ELEMENTARY SCHOOL  
 PLAN AND PROFILE SHEET III

DEPARTMENT OF PUBLIC WORKS  
 CIVIL ENGINEERING  
 701 W. MARKHAM  
 LITTLE ROCK, ARKANSAS 72201



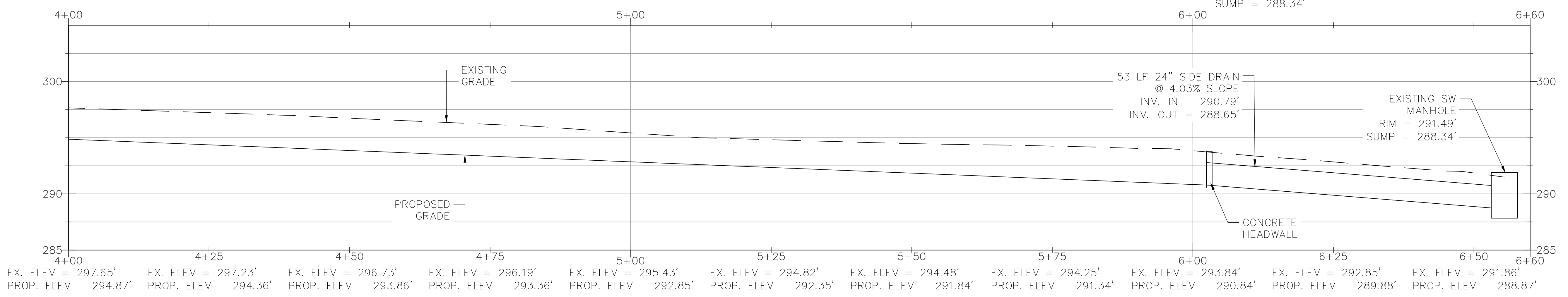
**DRAWN BY**  
CTG  
**DESIGNED**  
CTG  
**CHECKED**  
BJW  
**DATE**  
6-5-2024  
**SCALE**  
1" = 10'  
**PROJECT NO.**  
CLR 02-22-DR-09  
**SHEET NO.**  
C6



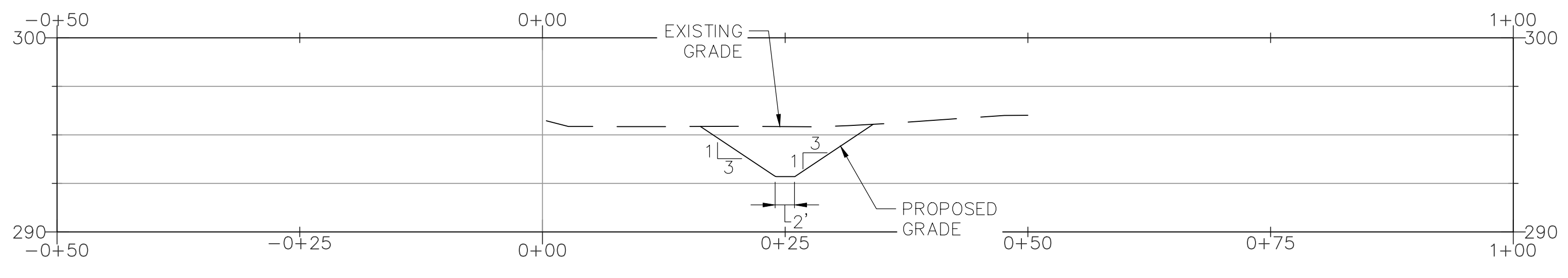
**ISSUED FOR CONSTRUCTION**

**NOTE:**  
TREES SHALL BE REMOVED PRIOR TO CONSTRUCTION. TREE REMOVAL SHALL BE INCLUDED IN THE SITE PREPARATION.

STORWATER DRAINAGE SYSTEM PROFILE



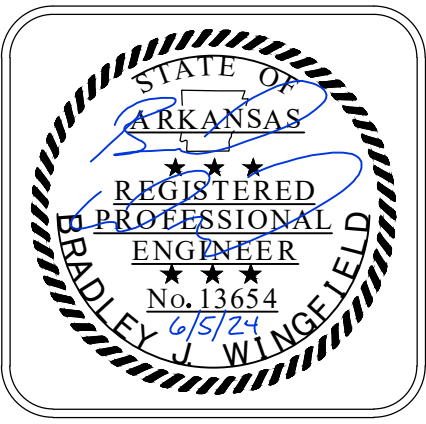
STA 5+00 CROSS SECTION PROFILE



| REVISIONS | DATE |
|-----------|------|
|           |      |
|           |      |

CITY OF LITTLE ROCK, ARKANSAS  
 REDWOOD DRIVE DRAINAGE AT WATSON ELEMENTARY SCHOOL  
 EROSION CONTROL PLAN

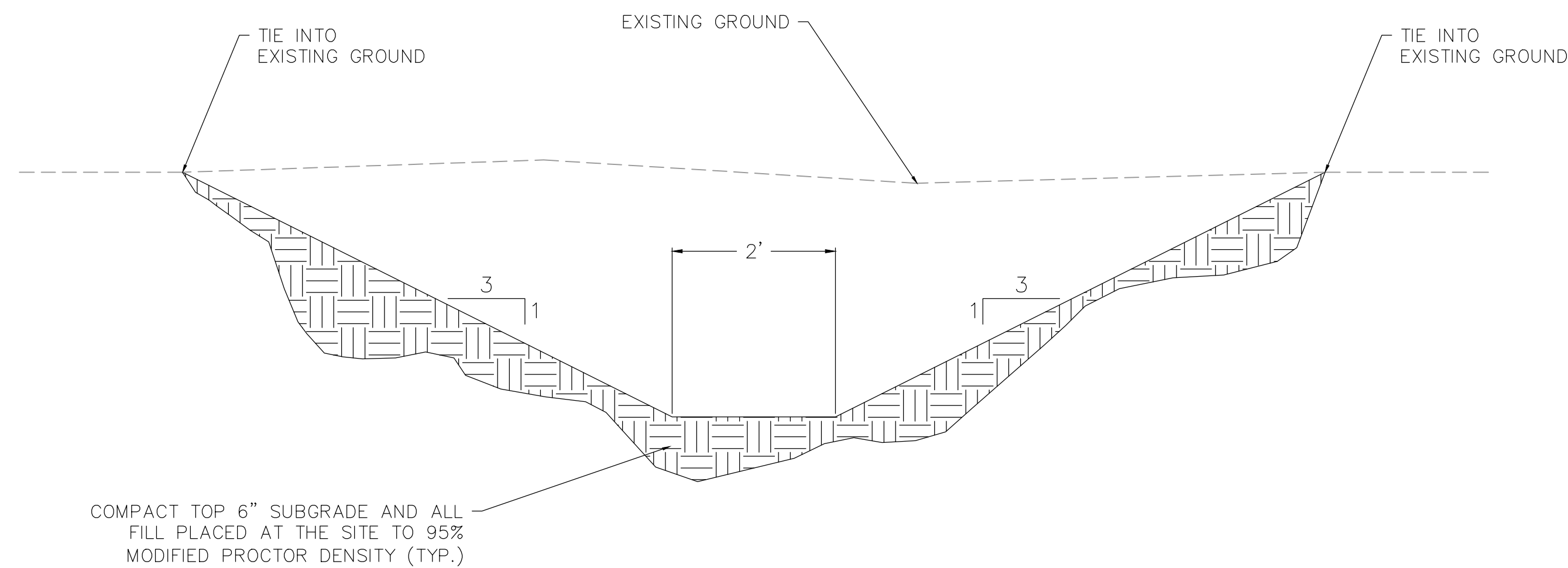
DEPARTMENT OF PUBLIC WORKS  
 CIVIL ENGINEERING  
 701 W. MARKHAM  
 LITTLE ROCK, ARKANSAS 72201



DRAWN BY  
 CTG  
 DESIGNED  
 CTG  
 CHECKED  
 BJW  
 DATE  
 6-5-2024  
 SCALE  
 1" = 30'  
 PROJECT NO.  
 CLR 02-22-DR-09  
 SHEET NO.  
 C7



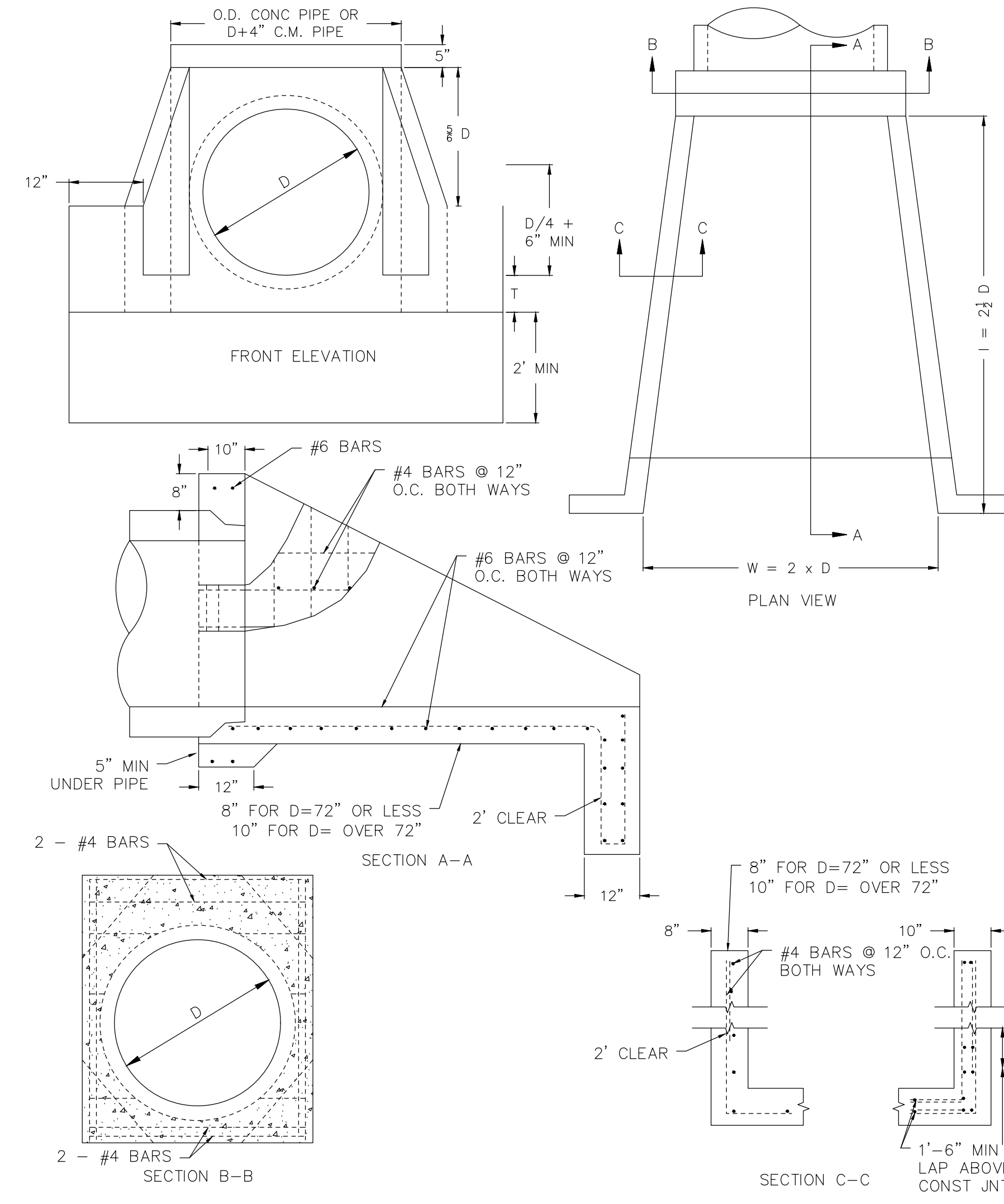
GRAPHIC SCALE  
 0 15 30 60 90 120  
**ISSUED FOR CONSTRUCTION**



**DRAINAGE CHANNEL DETAIL**

SCALE: NTS

1  
C6



**HEADWALL DETAIL**

SCALE: NTS

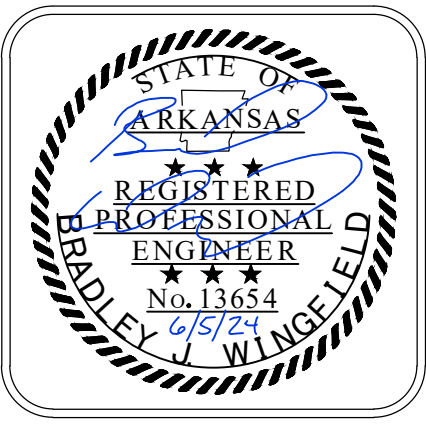
2  
C6

**ISSUED FOR  
CONSTRUCTION**

| REVISIONS | DATE |
|-----------|------|
|           |      |
|           |      |

**CITY OF LITTLE ROCK, ARKANSAS**  
**REDWOOD DRIVE DRAINAGE AT WATSON ELEMENTARY SCHOOL**  
**DETAILS**

**DEPARTMENT OF PUBLIC WORKS**  
**CIVIL ENGINEERING**  
**701 W. MARKHAM**  
**LITTLE ROCK, ARKANSAS 72201**



|                                       |
|---------------------------------------|
| <b>DRAWN BY</b><br>CTG                |
| <b>DESIGNED</b><br>CTG                |
| <b>CHECKED</b><br>BJW                 |
| <b>DATE</b><br>6-5-2024               |
| <b>SCALE</b><br>1" = 10'              |
| <b>PROJECT NO.</b><br>CLR 02-22-DR-09 |
| <b>SHEET NO.</b><br>C7                |