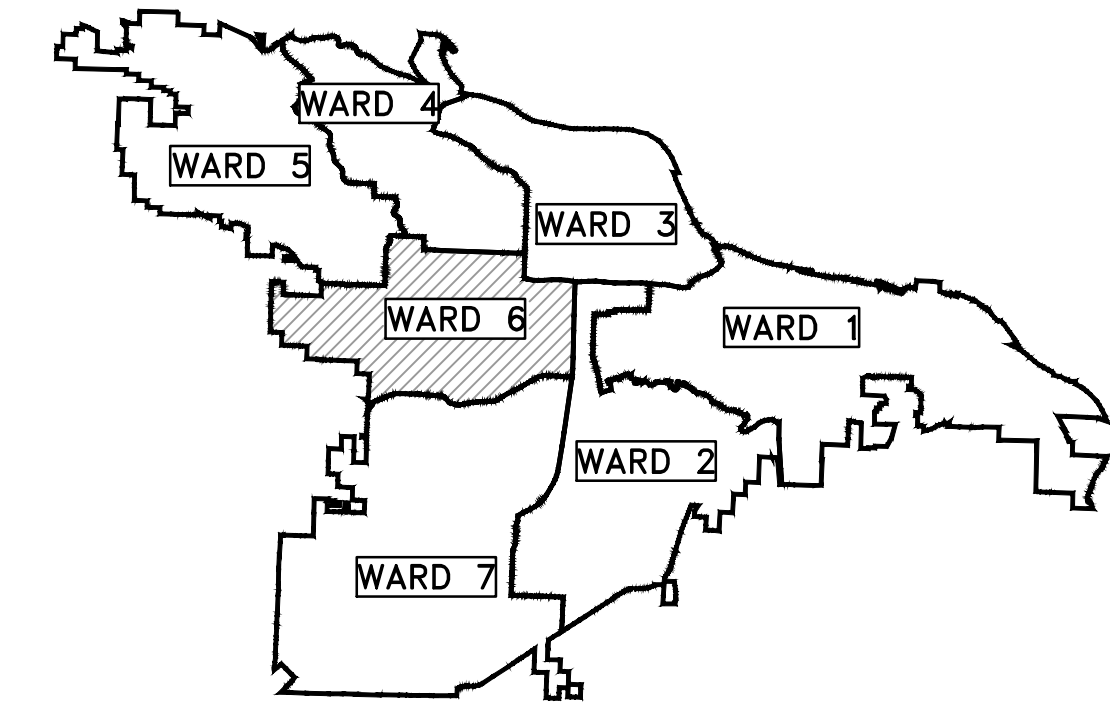


WALKER STREET DRAINAGE

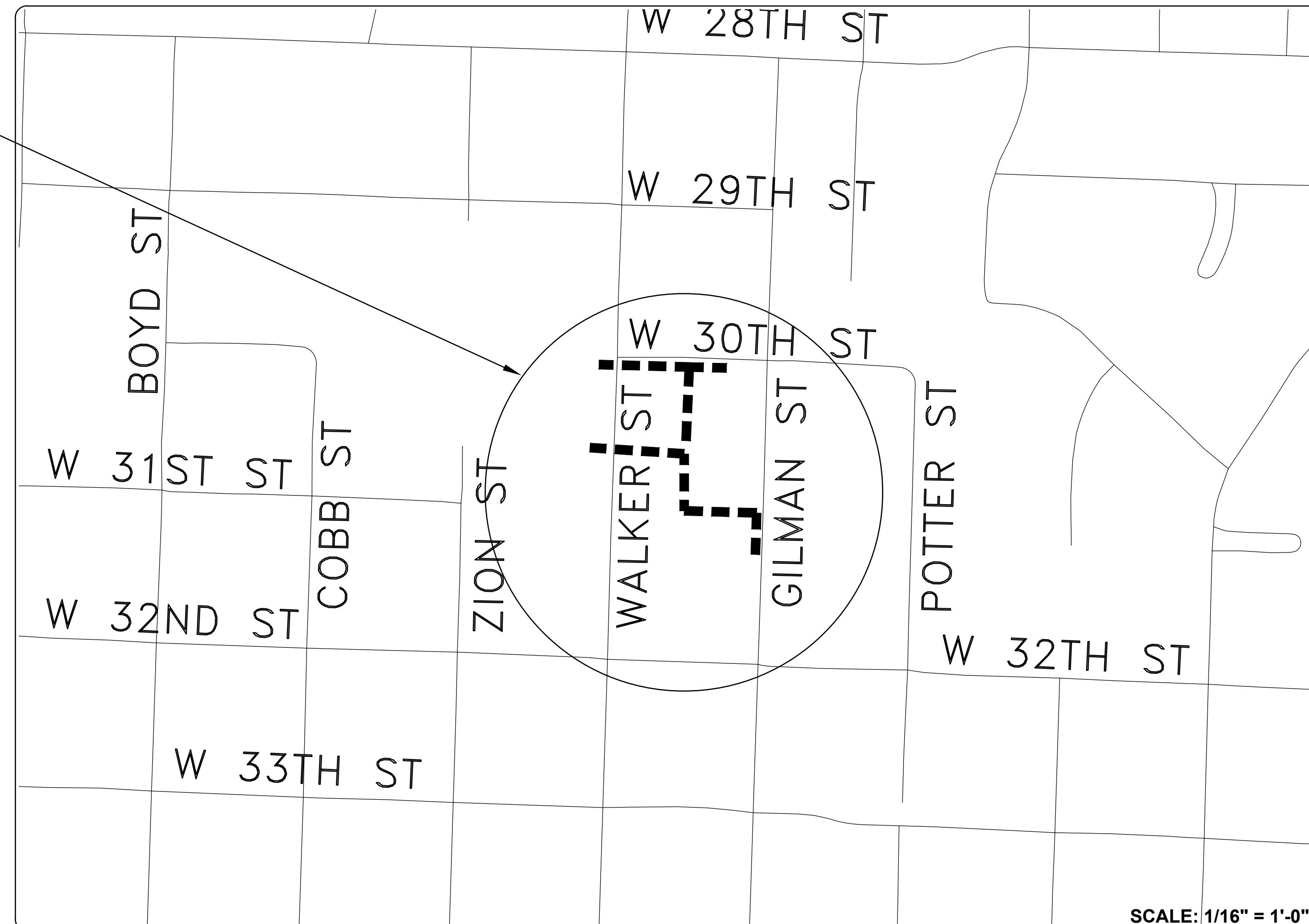
WALKER STREET TO GILMAN STREET

CLR PROJECT #06-22-DR-157

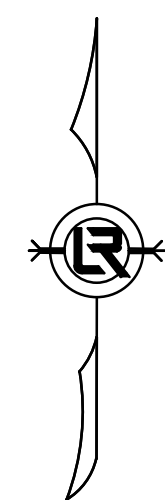


PROJECT LOCATION – WARD 6

PROJECT LOCATION
 LAT: 34°43'31"N
 LONG: 92°21'58"W



SCALE: 1/16" = 1'-0"



DEPARTMENT OF PUBLIC WORKS
 CIVIL ENGINEERING
 701 WEST MARKHAM STREET
 LITTLE ROCK, ARKANSAS 72201

SHEET NO.	TITLE
C0	COVER SHEET
C1	GENERAL NOTES, LEGEND AND QUANTITY
C2	TYPICAL SECTION
C3	EXISTING CONDITIONS
C4	PLAN AND PROFILE
C5	PLAN AND PROFILE
C5.1	TRIPLE 6X4 WINGWALL DETAILS
C5.2	3-SIDED BOX DETAILS
C6	CROSS SECTIONS
C7	CROSS SECTIONS
C8	SURVEY CONTROL PLAN
C9	EROSION CONTROL PLAN - PHASE 1
C10	EROSION CONTROL PLAN - PHASE 2 & 3
C11	MAINTENANCE OF TRAFFIC PLAN
C12	PROPERTY OWNERSHIP MAP



Know what's below.
 Call before you dig.

GNE Designing our client's success
GarNat Engineering, LLC

P.O. Box 116 (72018)
 3825 Mt Carmel Rd
 Bryant, AR 72022

Ph (501) 408-4650
 Fx (888) 900-3068
 garnatengineering@gmail.com

REVISIONS	DATE

CITY OF LITTLE ROCK, ARKANSAS
 WALKER STREET DRAINAGE
 COVER SHEET

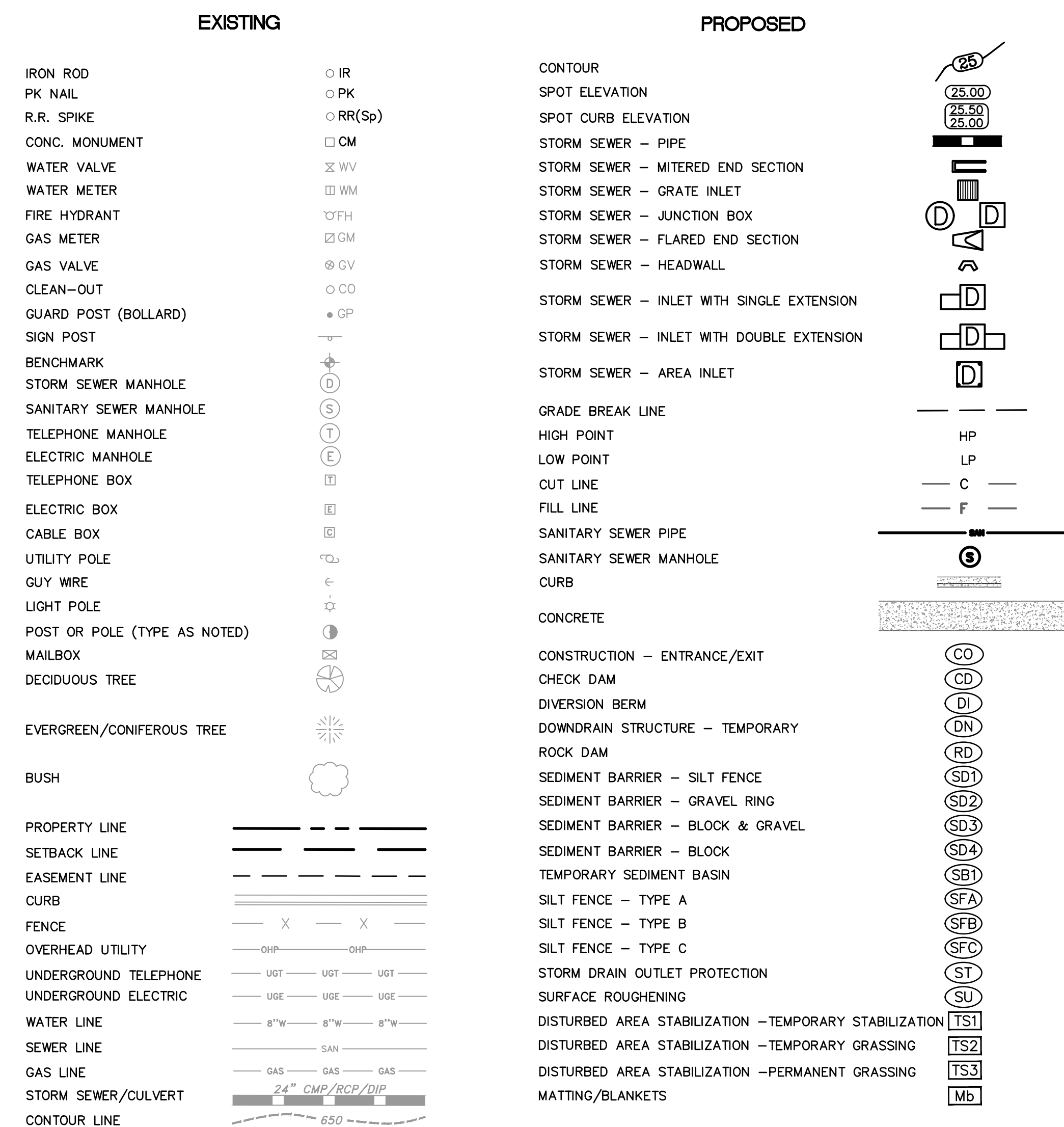
DEPARTMENT OF PUBLIC WORKS
 CIVIL ENGINEERING
 701 W. MARKHAM
 LITTLE ROCK, ARKANSAS 72201

5-30-2024

DRAWN BY	TM
DESIGNED	VJW & TM
CHECKED	VJW
DATE	05-30-2024
SCALE	N.T.S.
PROJECT NO.	06-22-DR-157
SHEET NO.	C0

Walker St Drainage 06-22-DR-157 100% Quantities
30-May-2024

Item#	Description	Unit	Quantity
2.01	Site Preparation	LS	1
2.02	Clearing and Grubbing	LS	1
	SP Concrete Bridge Removal	LS	1
3.01	Unclassified Excavation - Channel	CY	150
3.01	Unclassified Excavation - Excavate Earthen Ditch	CY	30
3.01	Unclassified Excavation - Regrade Existing Ditch	CY	10
5.01	Tack Coat	GAL	15
6.10	ACHM Surface Course	TON	65
7.06	Concrete Driveway and Apron (6" Thick)	SF	185
8.01	Concrete Curb (ARDOT Type D)	LF	52
9.03	Concrete Flume	SF	25
10.02	3-Sided Box	EA	1
10.05	Curb Inlet 5' Box	EA	2
10.07	Wing 3' Extension	EA	2
10.40	Area Inlet (4' Box)	EA	2
10.80	Rebuild Inlet Top	EA	3
11.02	Triple Barrel Reinforced Concrete Precast Box Culvert (4'X6')	LF	32
11.05	Reinforced Concrete Headwall 18"	EA	2
11.06	Reinforced Concrete Headwall and Wingwalls	CY	16
13.18A	Storm Drain Pipe Arch 22"X13" RCP	LF	52
13.18C	Storm Drain Pipe, 18" (Cross)	LF	88
13.18S	Storm Drain Pipe, 18" (Side)	LF	18
13.30S	Storm Drain Pipe, 30" (Side)	LF	30
14.01	Solid Sod, Bermuda (Includes 4" of Top Soil)	SY	1300
16.01	Maintenance of Traffic	LS	1
18.40	1' Thick Grouted Riprap	SY	550
18.10	Water for Dust Control	GAL	5000
19.01	Final cleanup	LS	1
22.01	Mailbox Relocation	EA	2
24.06	Sediment Barrier, Silt Fence (SD1)	EA	9
24.09	Sediment Barrier, Block (SD4)	EA	9
24.11	Silt Fence Type A (SFA)	LF	500
25.06	Chain Link Fence (6')	LF	70
26.01	Trench excavation & safety	LS	1
606.18A	Flared End Section Arch 22"X13" RCP	EA	1
625.01	Geotextile Fabric (Type 1)	SY	600
	SP As Built Survey	LS	1



REVISIONS	DATE

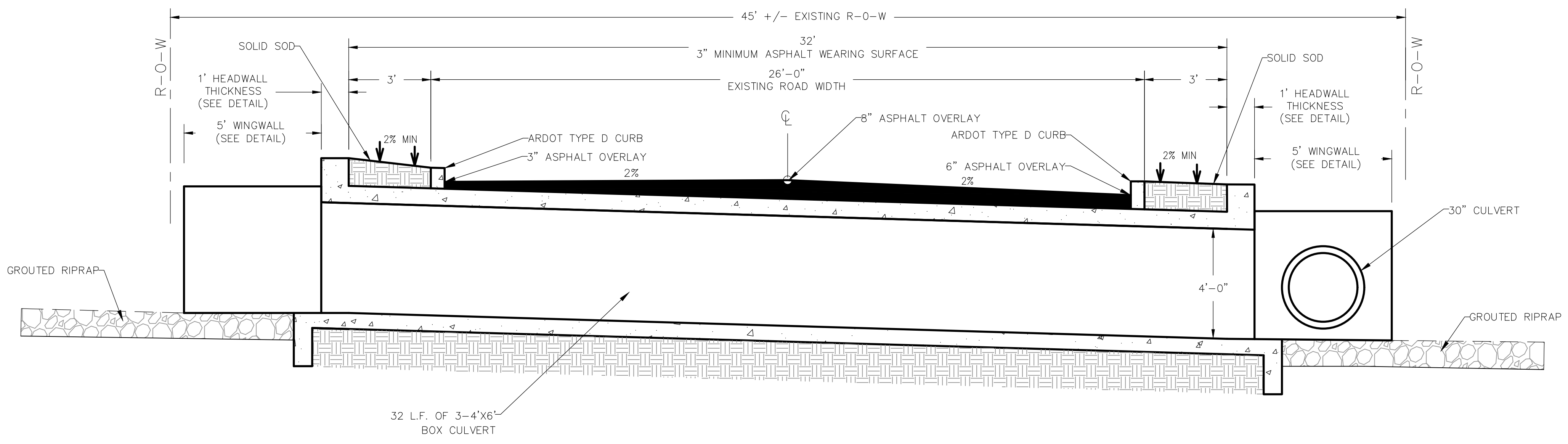
CITY OF LITTLE ROCK, ARKANSAS
WALKER STREET DRAINAGE
GENERAL NOTES, LEGEND AND QUANTITY

DEPARTMENT OF PUBLIC WORKS
CIVIL ENGINEERING
500 W. MARKHAM
LITTLE ROCK, ARKANSAS 72201

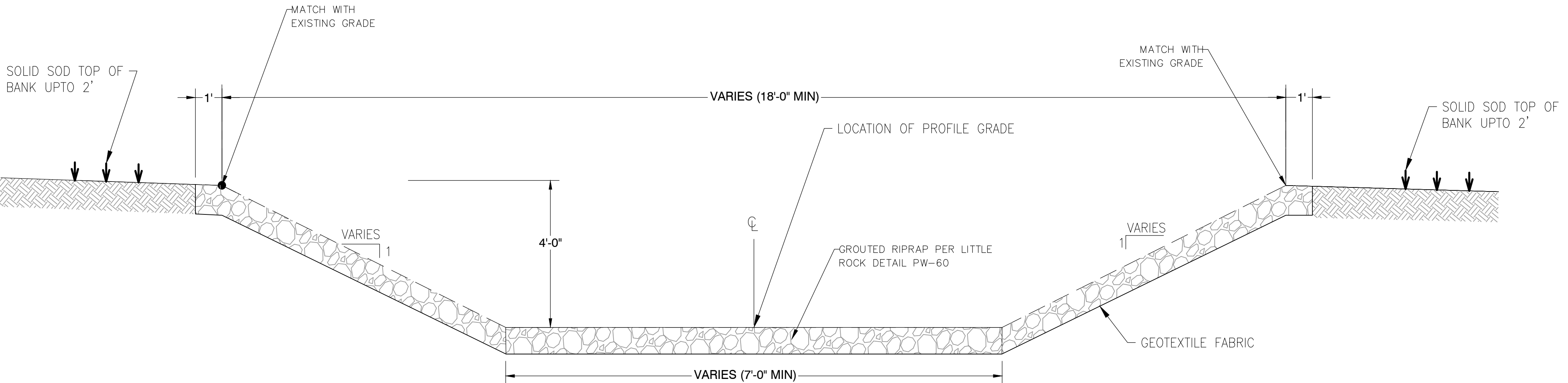


DRAWN BY
TM
DESIGNED
VJW & TM
CHECKED
VJW
DATE
05-30-2024
SCALE
1"=20' (22X34)
PROJECT NO.
06-22-DR-157
SHEET NO.
C1

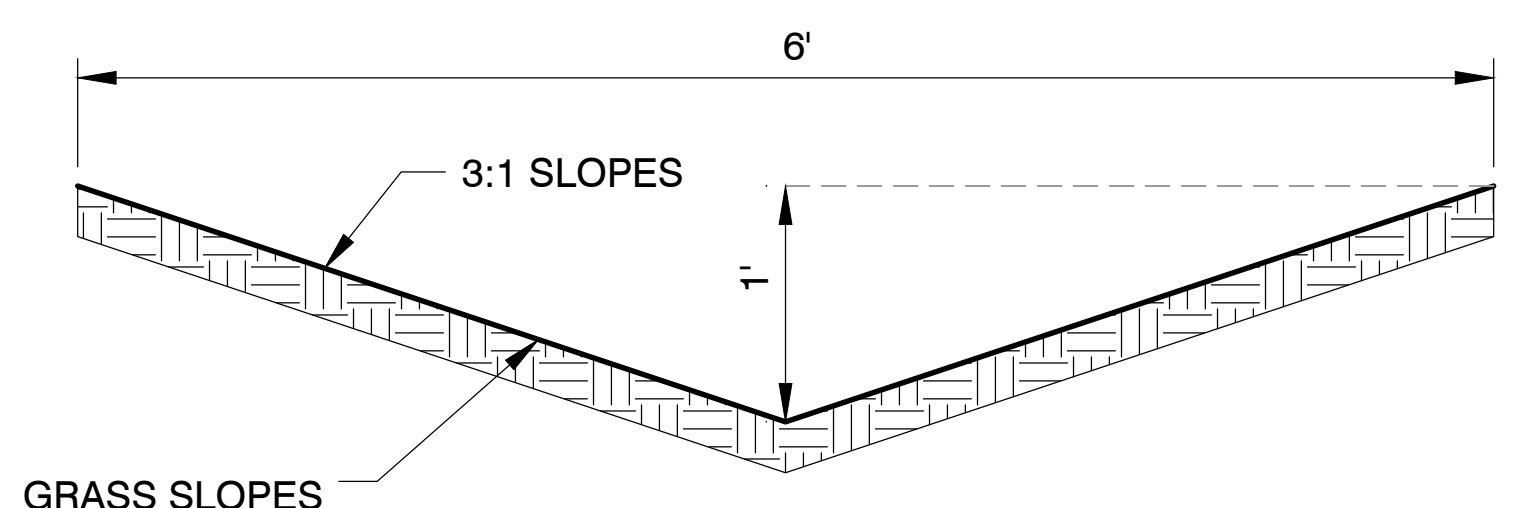
REVISIONS	DATE



TYPICAL SECTION - WALKER STREET CULVERT CROSSING
N.T.S.



TYPICAL SECTION - CHANNEL
N.T.S.



TYPICAL SECTION - DITCH
N.T.S.

NOTES:
1. CLEAR ZONE PROVIDED. NO GUARD RAIL REQUIRED. THERE IS NO SIDEWALK ALONG THE WALKER STREET.

CITY OF LITTLE ROCK, ARKANSAS
WALKER STREET DRAINAGE
TYPICAL SECTION

DEPARTMENT OF PUBLIC WORKS
CIVIL ENGINEERING
701 W. MARKHAM
LITTLE ROCK, ARKANSAS 72201



DRAWN BY
TM
DESIGNED
VJW & TM
CHECKED
VJW
DATE
05-30-2024
SCALE
N.T.S.
PROJECT NO.
06-22-DR-157
SHEET NO.
C2

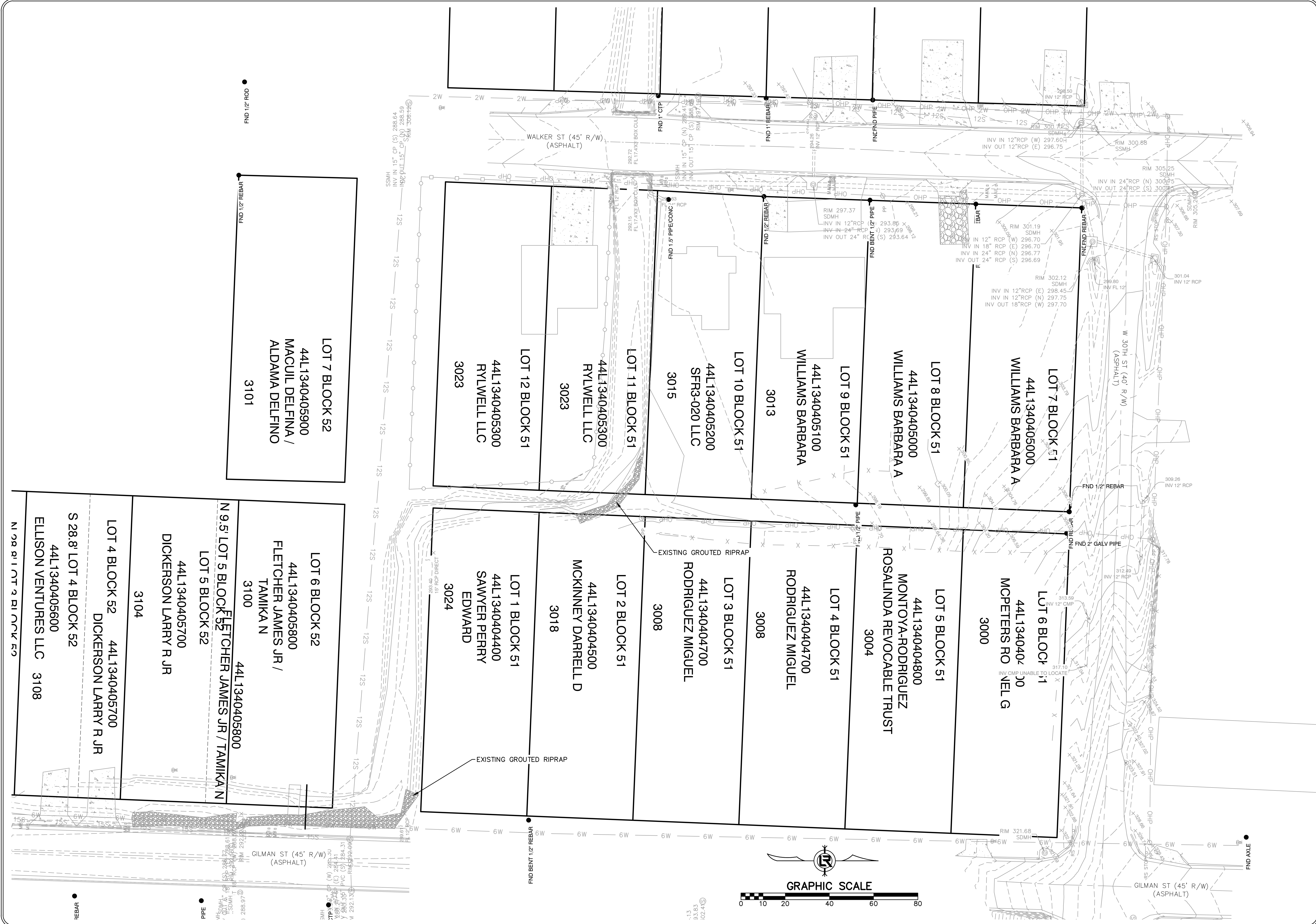
REVISIONS	DATE

CITY OF LITTLE ROCK, ARKANSAS
WALKER STREET DRAINAGE
 EXISTING CONDITIONS

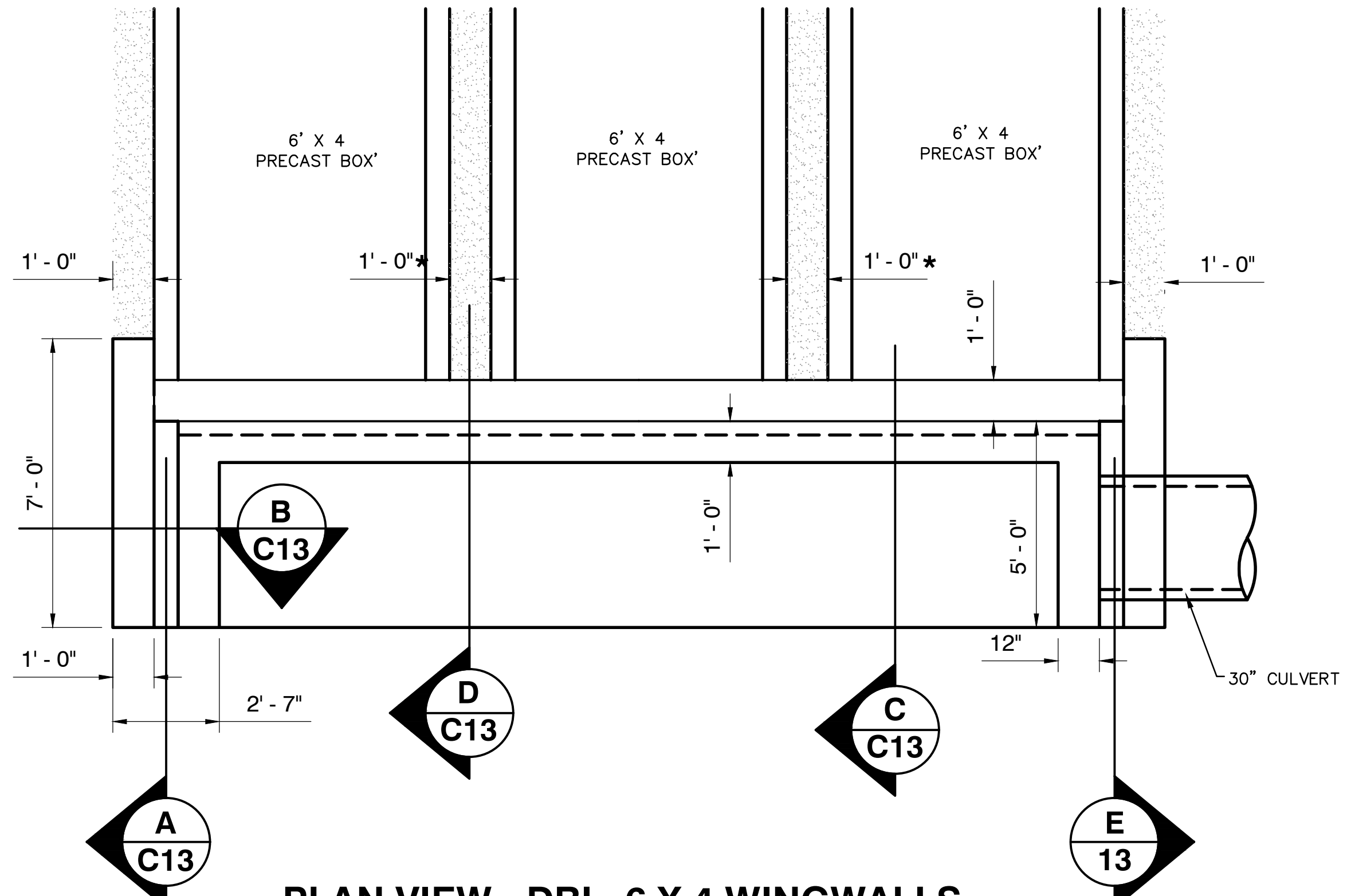
10227 SASANKAWY, ROCK LITTLE
 MAHARJAN W. 107
 CIVIL ENGINEERING
 DEPARTMENT OF PUBLIC WORKS



DRAWN BY TM
DESIGNED VJW & TM
CHECKED VJW
DATE 05-30-2024
SCALE 1"=20' (22X34)
PROJECT NO. 06-22-DR-157
SHEET NO. C3



REVISIONS	DATE



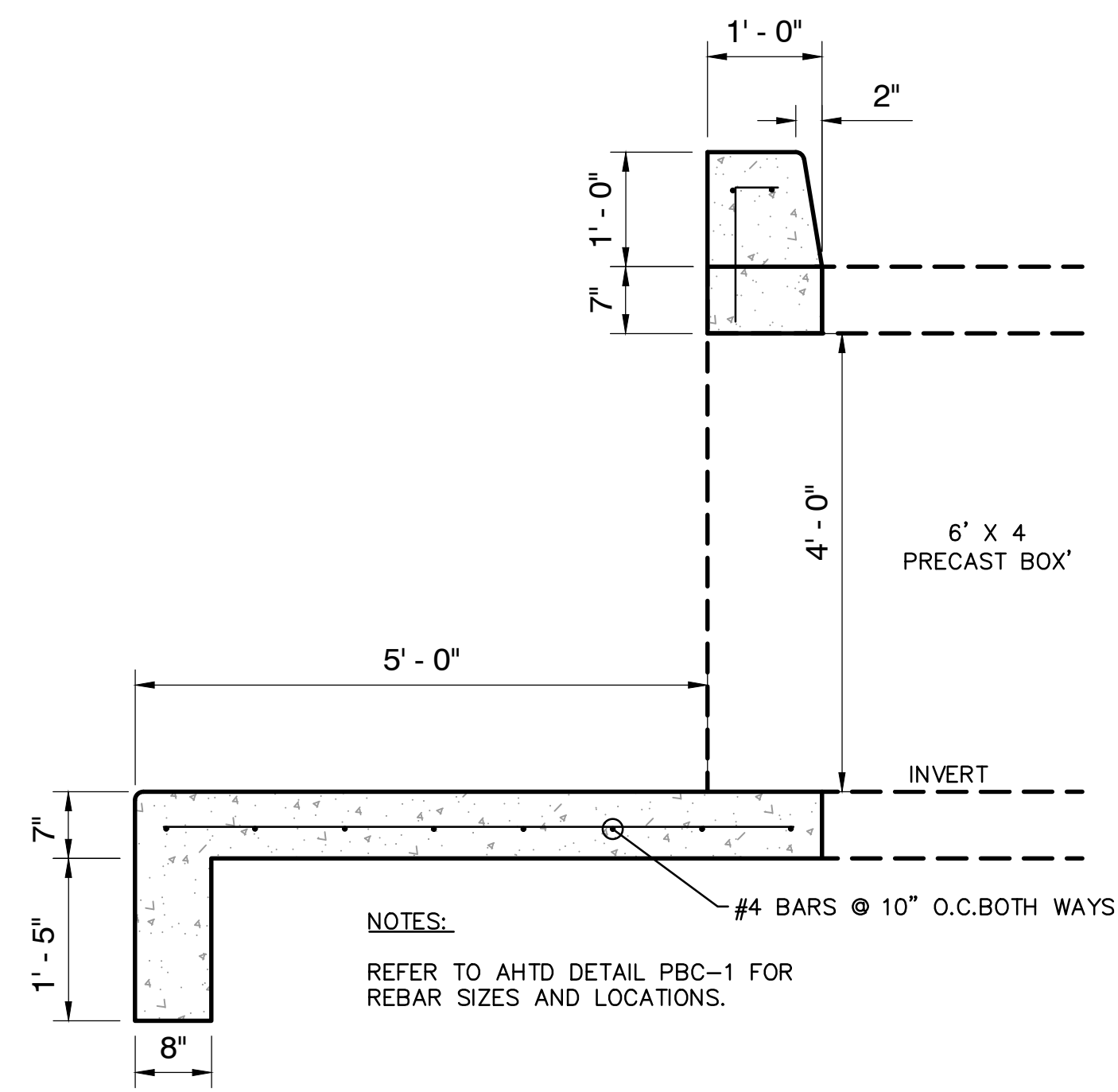
PLAN VIEW - DBL. 6 X 4 WINGWALLS

3/8" = 1' - 0"

NOTES:

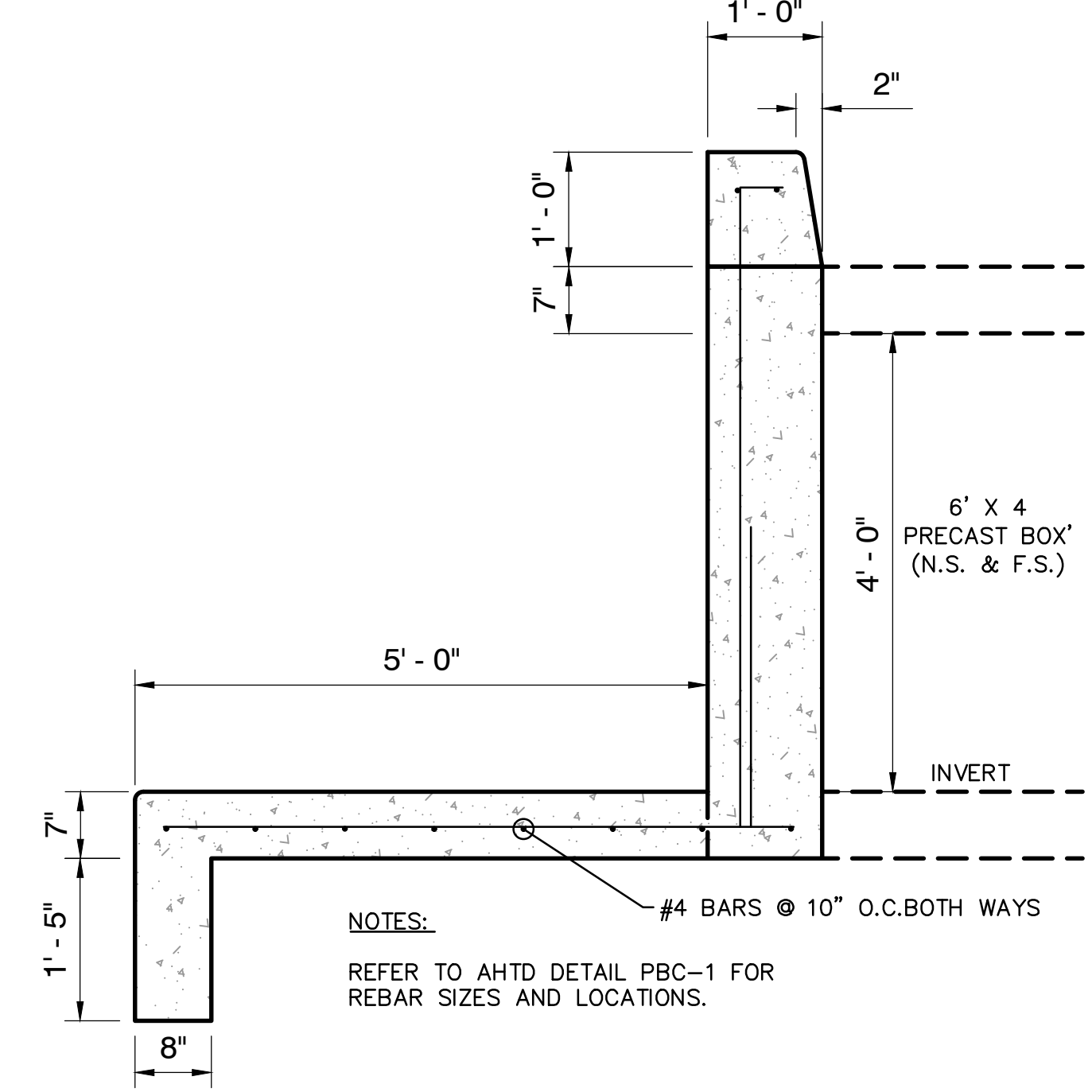
REFER TO AHTD DETAIL PBC-1 FOR REBAR SIZES AND LOCATIONS.

* GREATER THAN DIMENSION SHOWN ON ARDOT DETAIL PBC-1.



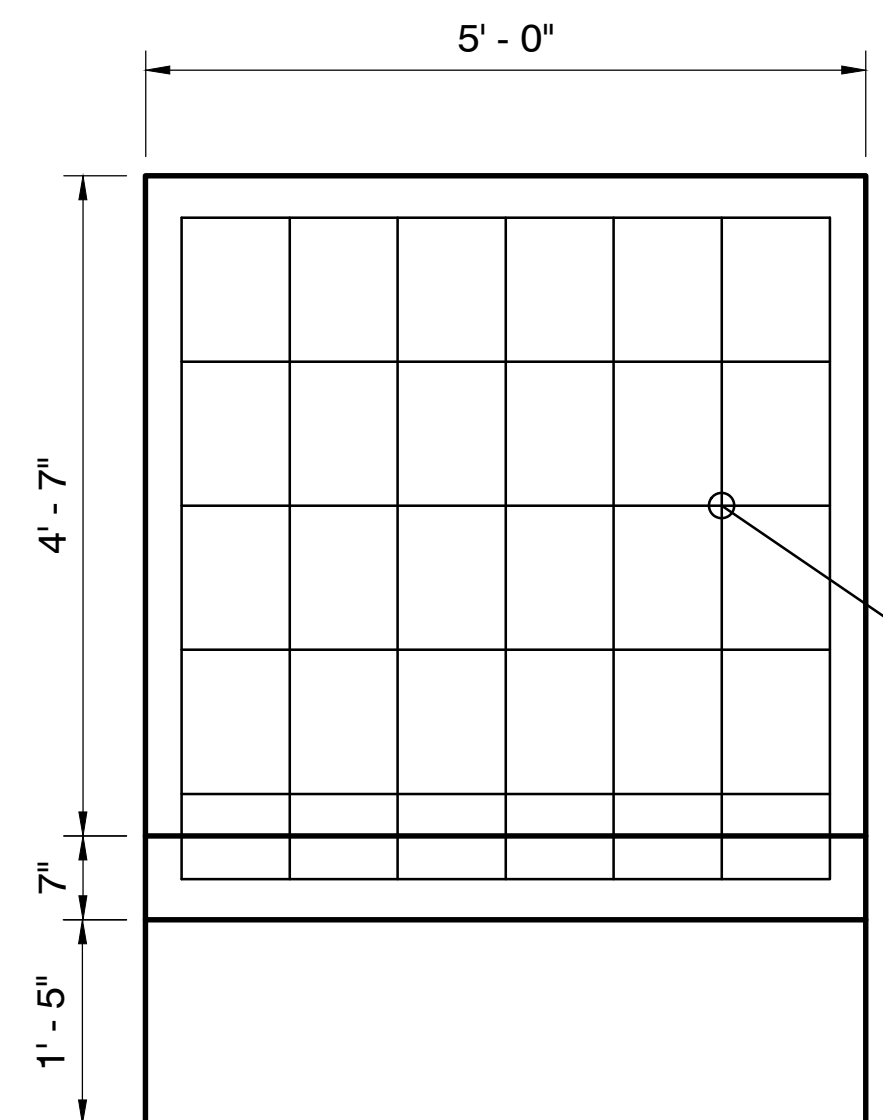
SECTION C

3/4" = 1' - 0"



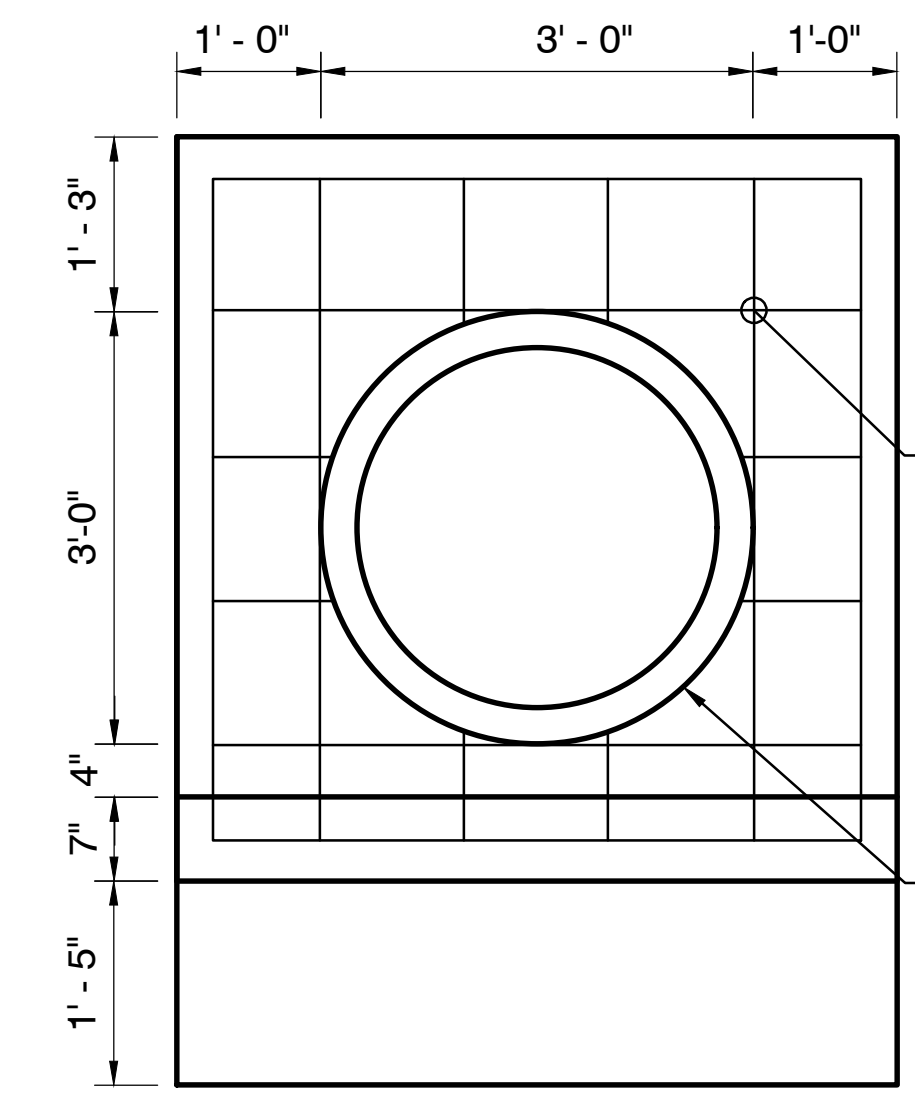
SECTION D

3/4" = 1' - 0"



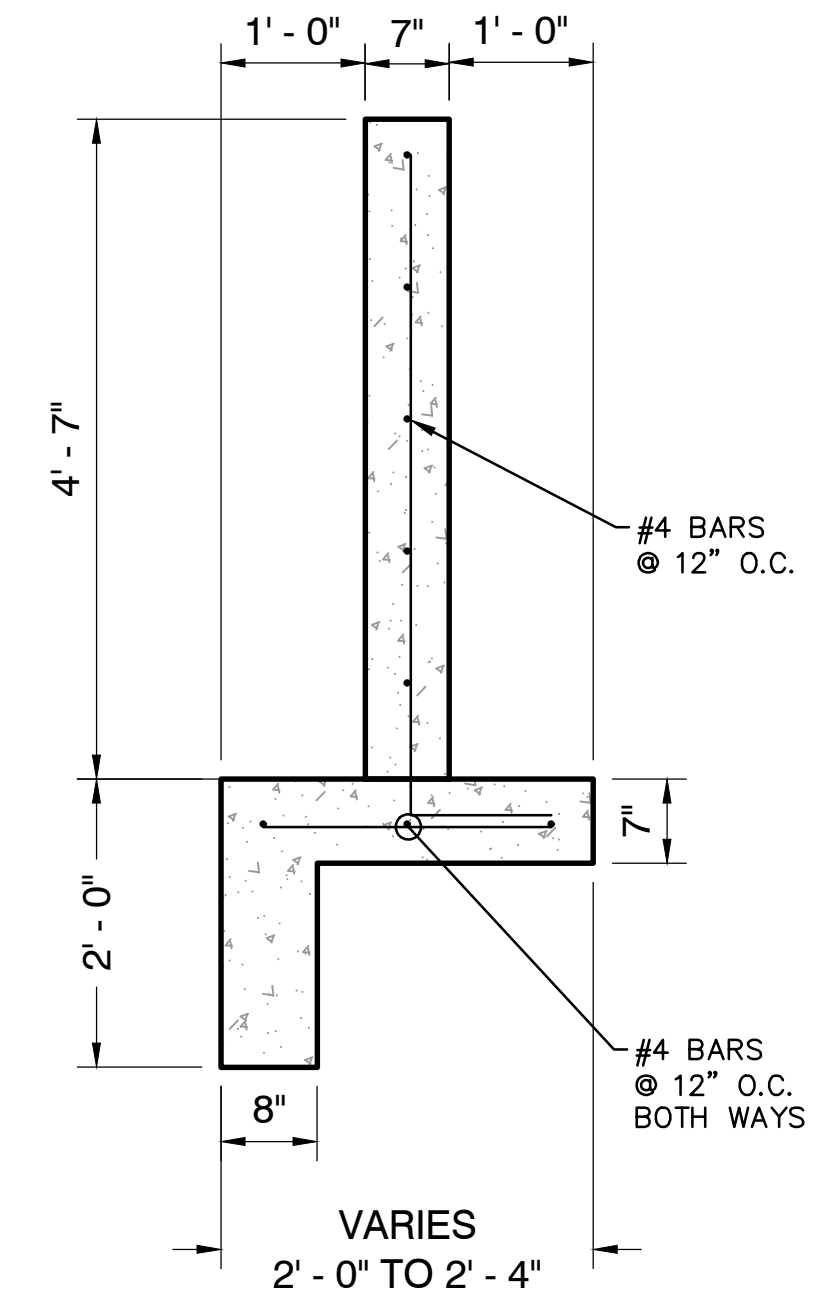
SECTION A

3/4" = 1' - 0"



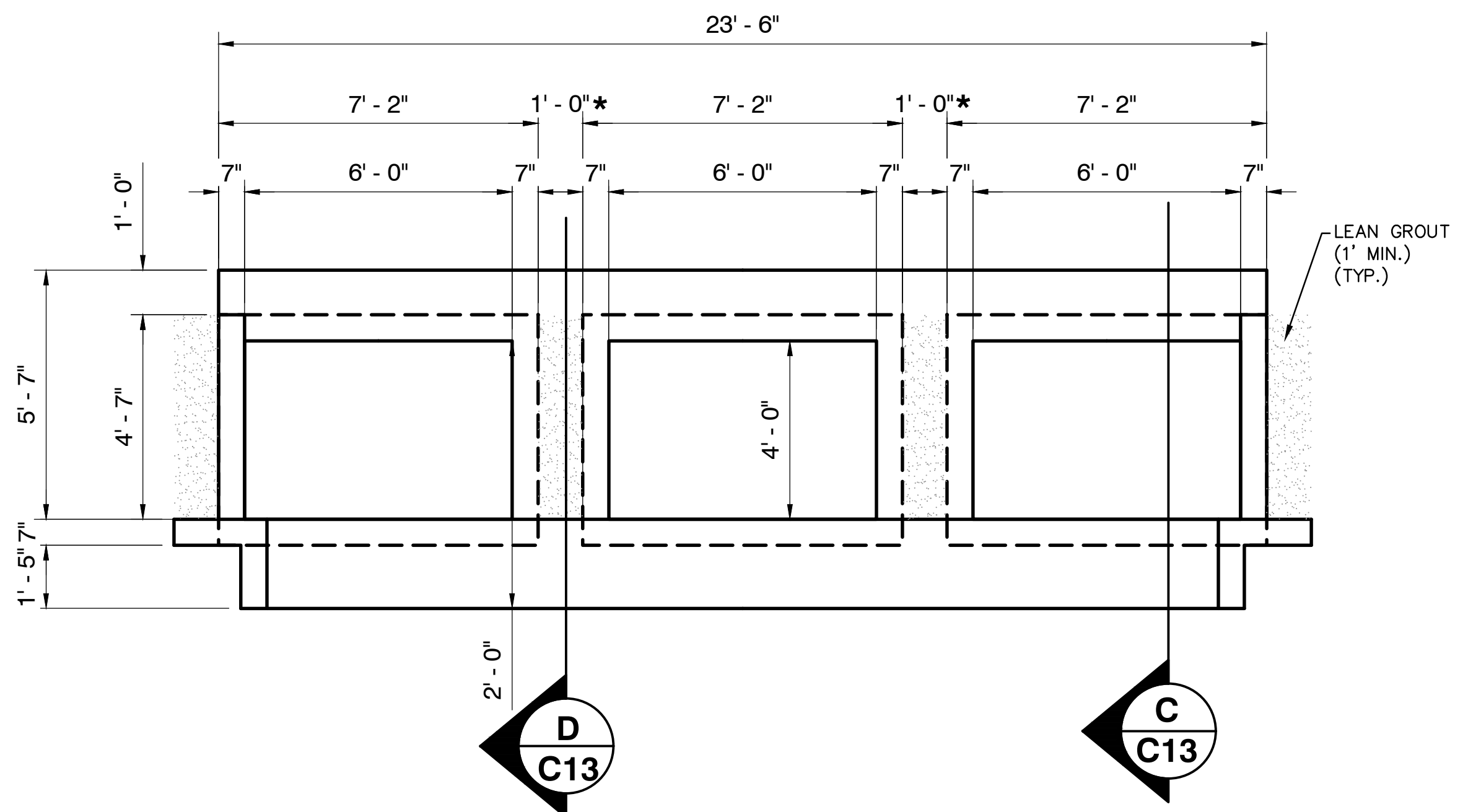
SECTION E

3/4" = 1' - 0"



SECTION B

3/4" = 1' - 0"



INLET END ELEVATION - DBL. 6 X 4 WINGWALLS

3/8" = 1' - 0"

NOTES:

REFER TO AHTD DETAIL PBC-1 FOR REBAR SIZES AND LOCATIONS.

* GREATER THAN DIMENSION SHOWN ON ARDOT DETAIL PBC-1.

GENERAL NOTES:

CONCRETE: ALL CONCRETE TO BE CLASS S, AND SHALL BE POURED IN THE DRY. ALL EXPOSED CORNERS TO HAVE 3/8" CHAMFERS.

REINFORCED STEEL: REINFORCING STEEL TO BE DEFORMED BASED OF INTERMEDIATE OR HARD GRADE.

CONSTRUCTION JOINTS: CONSTRUCTION JOINTS BETWEEN WINGWALL, FOOTINGS, AND SIDEWALLS SHALL BE ONLY WHERE SHOWN ON PLANS.

SPECIFICATIONS: ARKANSAS STATE HIGHWAY COMMISSION STANDARD SPECIFICATIONS FOR HIGHWAY CONSTRUCTION AND APPLICABLE SPECIAL PROVISIONS.

UNIT STRESSES:

CLASS S CONCRETE: (N=10) 1200#

REINFORCING STEEL: 20,000#

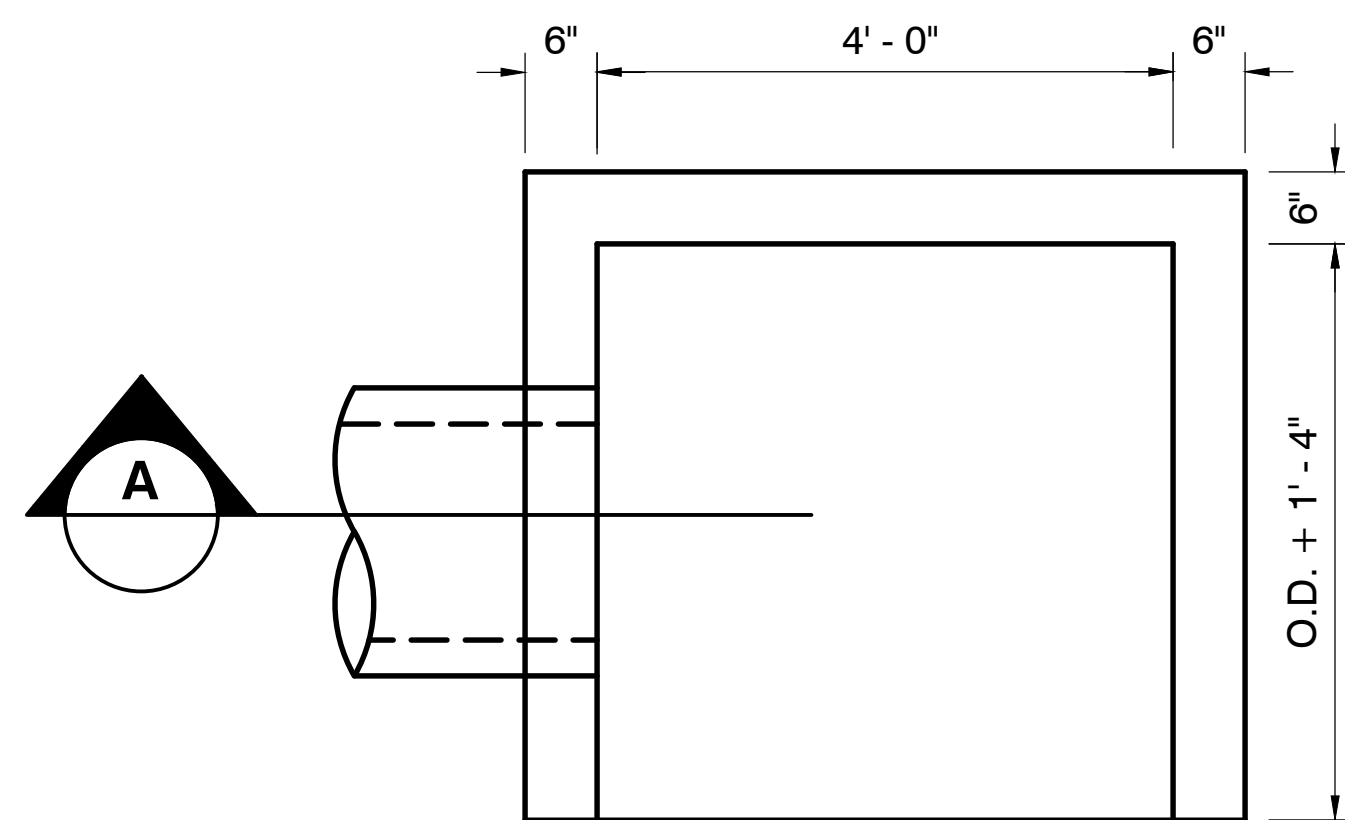
CITY OF LITTLE ROCK, ARKANSAS
WALKER STREET DRAINAGE
TRIPLE 6X4 WINGWALL DETAILS

DEPARTMENT OF PUBLIC WORKS
CIVIL ENGINEERING
701 W. MARKHAM
LITTLE ROCK, ARKANSAS 72201



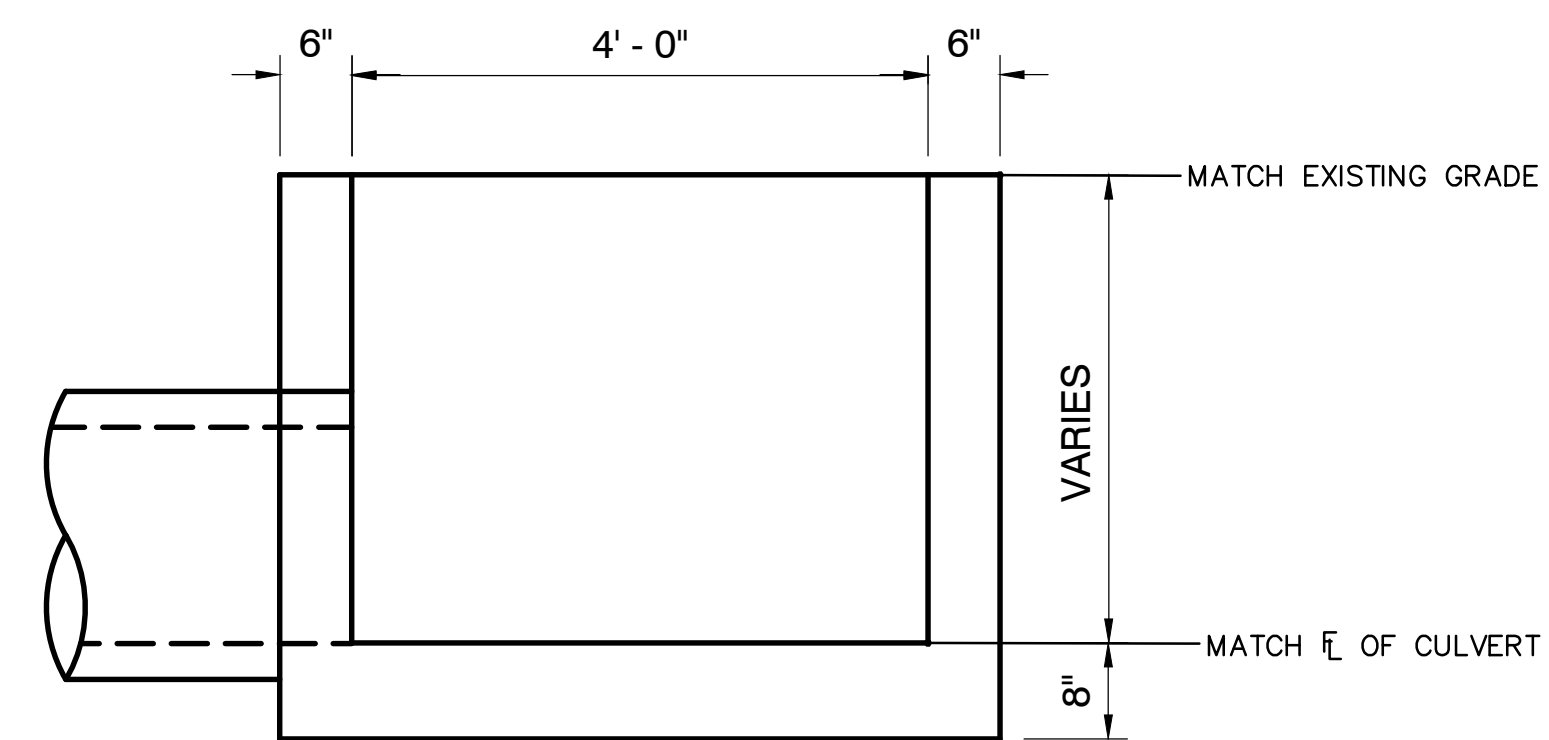
DRAWN BY SM
DESIGNED VJW & TM
CHECKED VJW
DATE 05-30-2024
SCALE N/A
PROJECT NO. 06-22-DR-157
SHEET NO. C5.1

REVISIONS	DATE



PLAN VIEW - 3 SIDED BOX

3/4" = 1' - 0"



SECTION

3/4" = 1' - 0"

NOTES:

SEE CITY OF LITTLE ROCK DETAILS PW-4 FOR REINFORCING DETAILS AND OTHER ITEMS NOT SHOWN.

GENERAL NOTES:

CONCRETE: ALL CONCRETE TO BE CLASS S, AND SHALL BE POURED IN THE DRY. ALL EXPOSED CORNERS TO HAVE $\frac{3}{8}$ " CHAMFERS.

REINFORCED STEEL: REINFORCING STEEL TO BE DEFORMED BASED OF INTERMEDIATE OR HARD GRADE.

CONSTRUCTION JOINTS: CONSTRUCTION JOINTS BETWEEN WINGWALL, FOOTINGS, AND SIDEWALLS SHALL BE ONLY WHERE SHOWN ON PLANS.

SPECIFICATIONS: ARKANSAS STATE HIGHWAY COMMISSION STANDARD SPECIFICATIONS FOR HIGHWAY CONSTRUCTION AND APPLICABLE SPECIAL PROVISIONS.

UNIT STRESSES:

CLASS S CONCRETE: (N=10) 1200#

REINFORCING STEEL: 20,000#

CITY OF LITTLE ROCK, ARKANSAS
WALKER STREET DRAINAGE

3-SIDED BOX DETAILS

DEPARTMENT OF PUBLIC WORKS
CIVIL ENGINEERING
701 W. MARKHAM
LITTLE ROCK, ARKANSAS 72201



DRAWN BY
TM

DESIGNED
VJW & TM

CHECKED
VJW

DATE
05-30-2024

SCALE
N/A

PROJECT NO.
06-22-DR-157

SHEET NO.
C5.2

REVISIONS	DATE

CITY OF LITTLE ROCK, ARKANSAS
WALKER STREET DRAINAGE
CROSS SECTIONS

DEPARTMENT OF PUBLIC WORKS
 CIVIL ENGINEERING
 701 W. MARKHAM
 LITTLE ROCK, ARKANSAS 72201



5-30-2024

DRAWN BY
TM

DESIGNED
VJW & TM

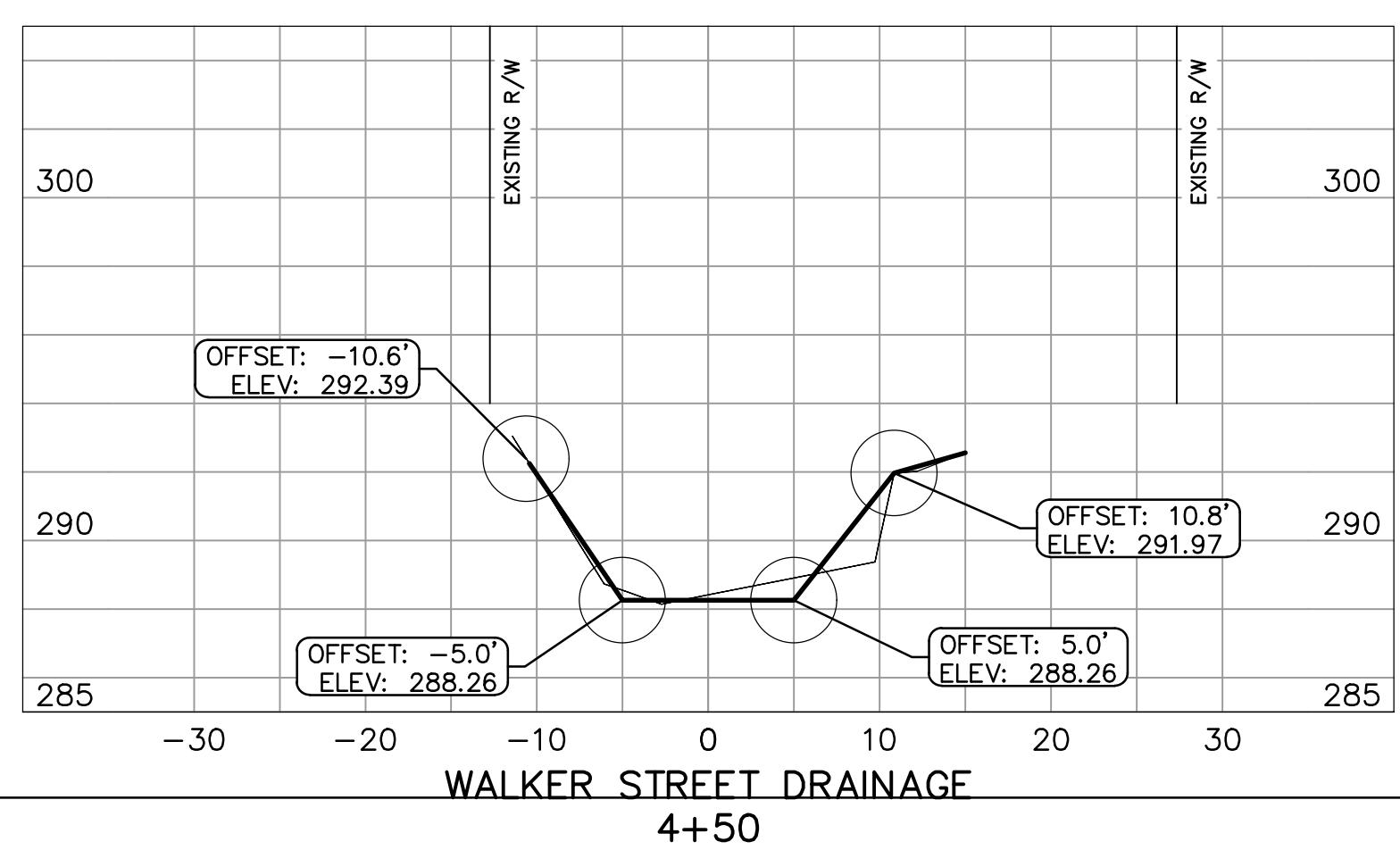
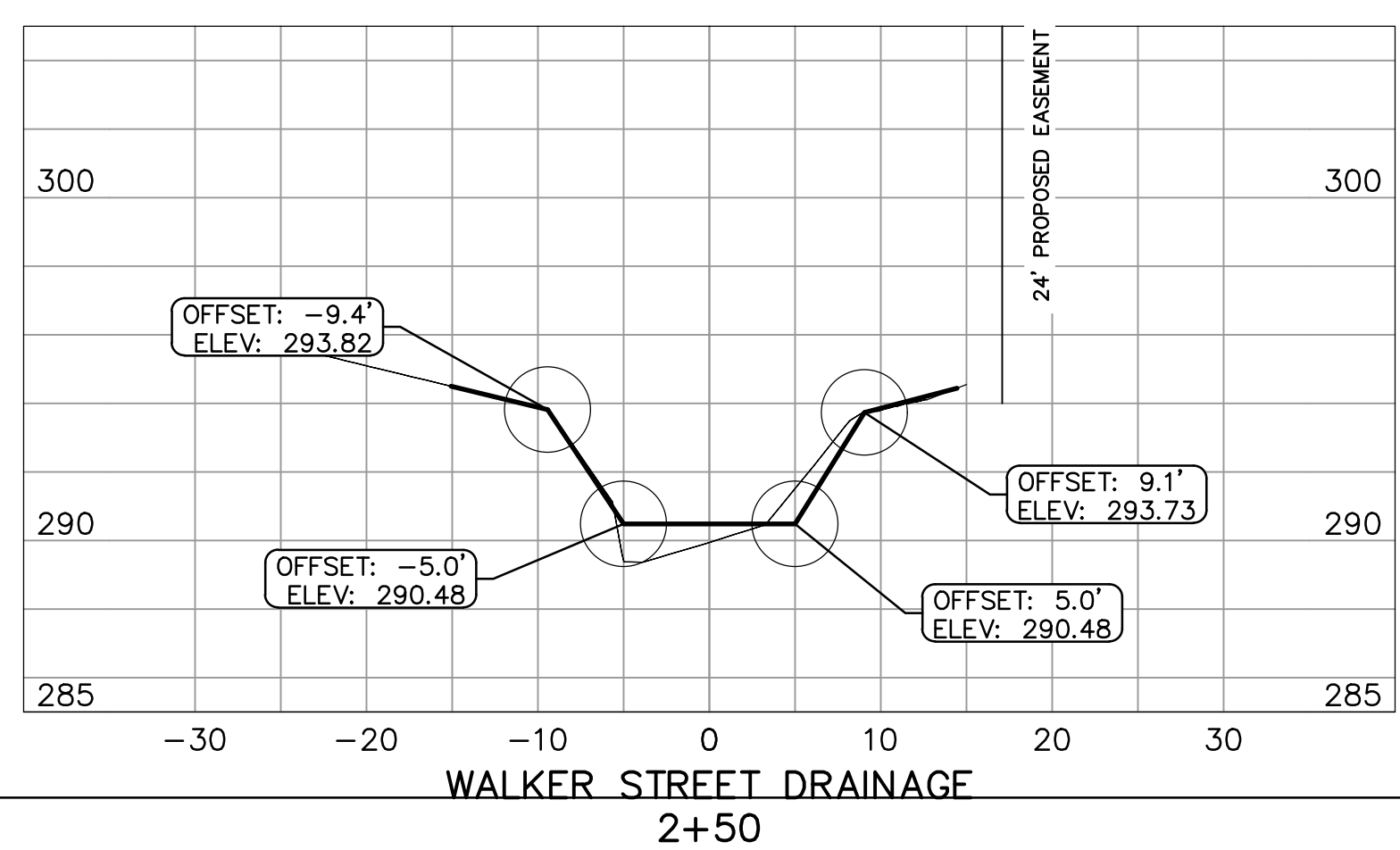
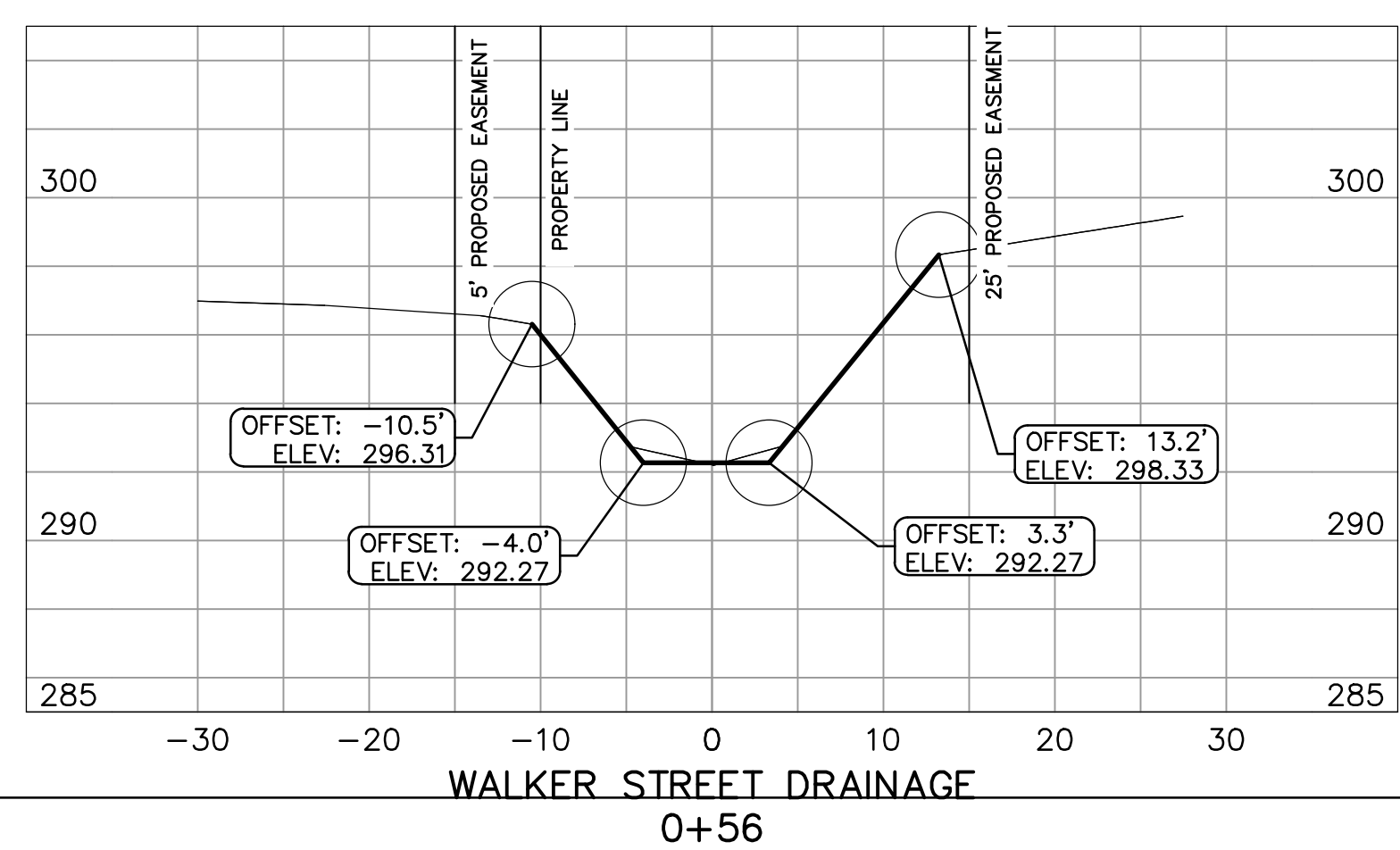
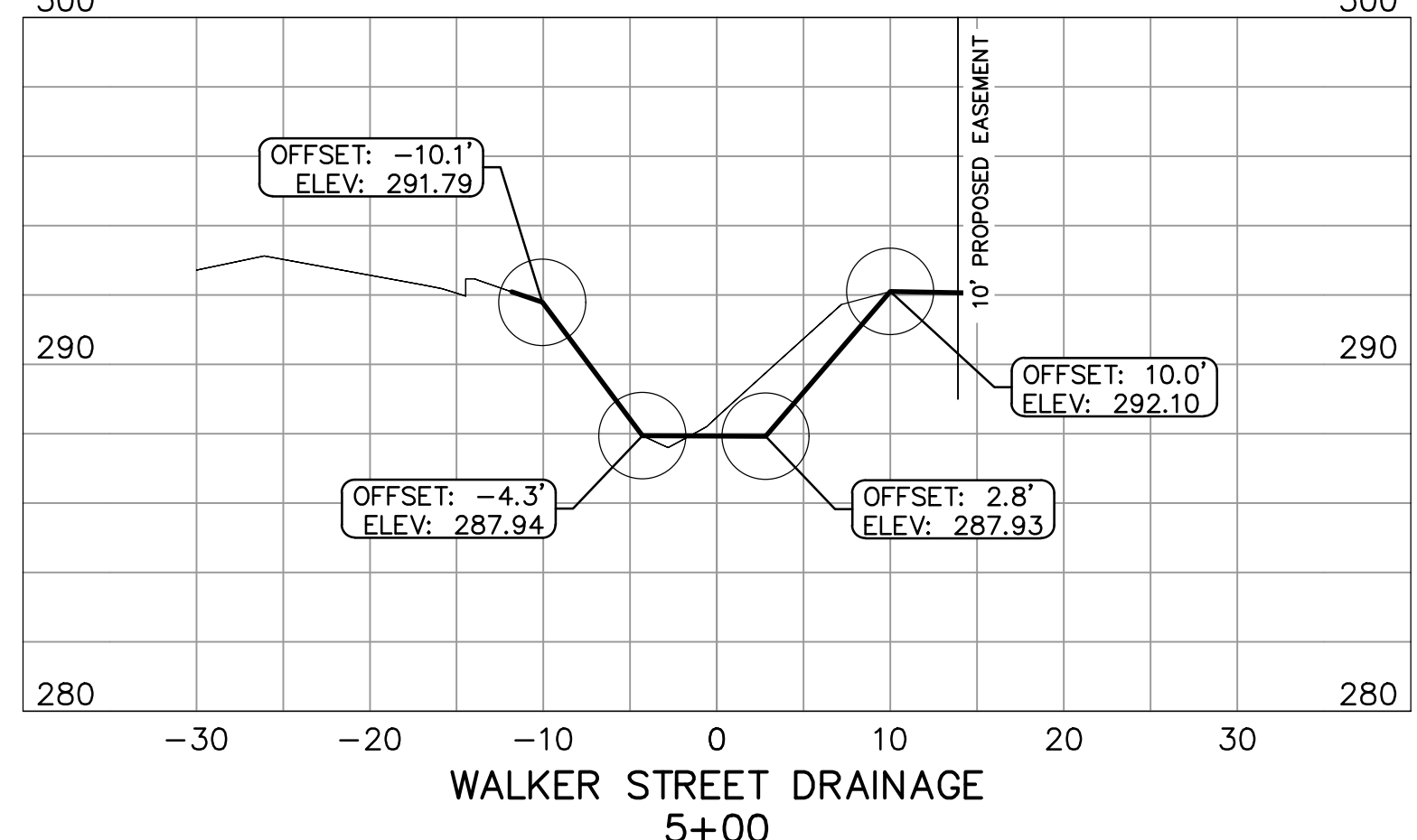
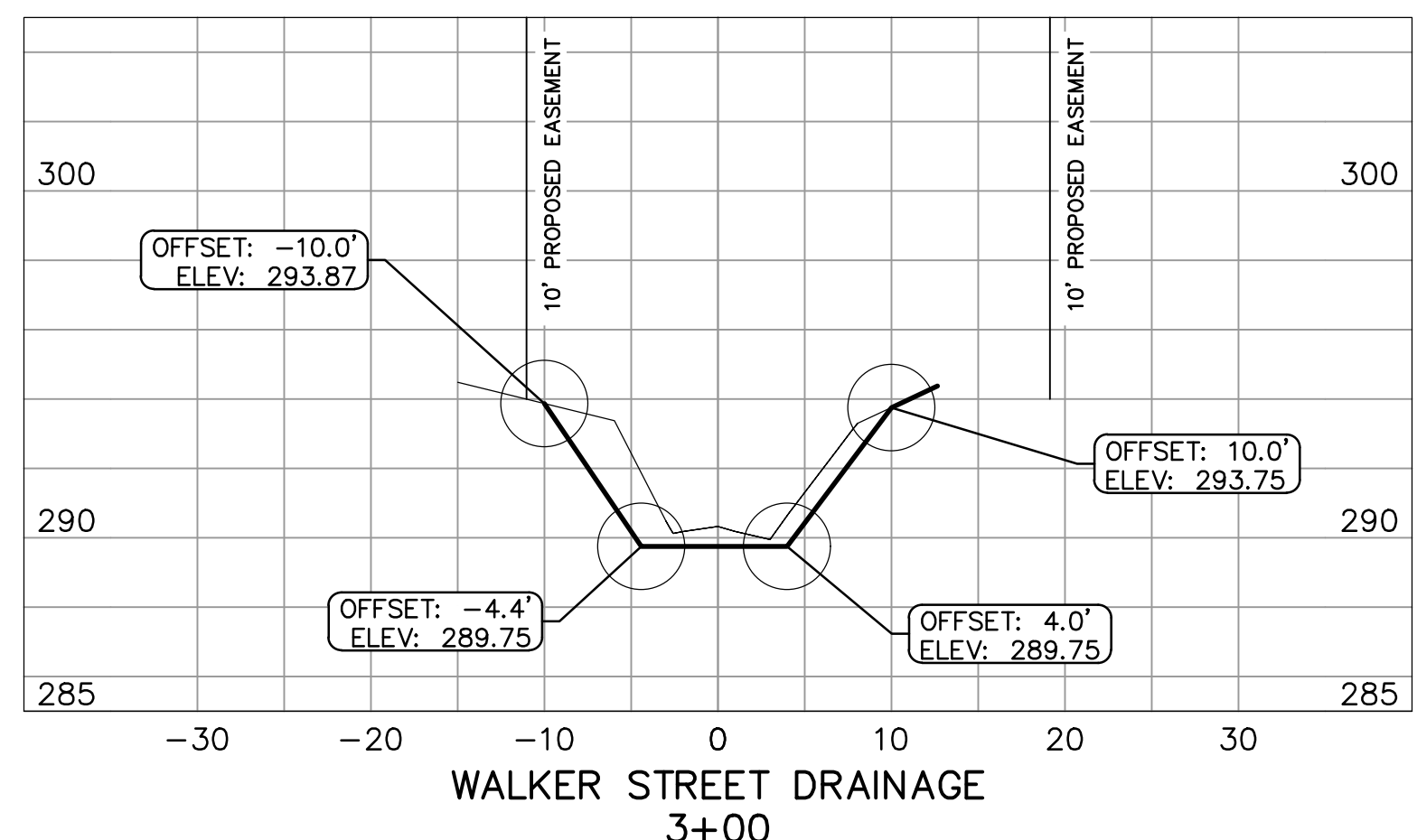
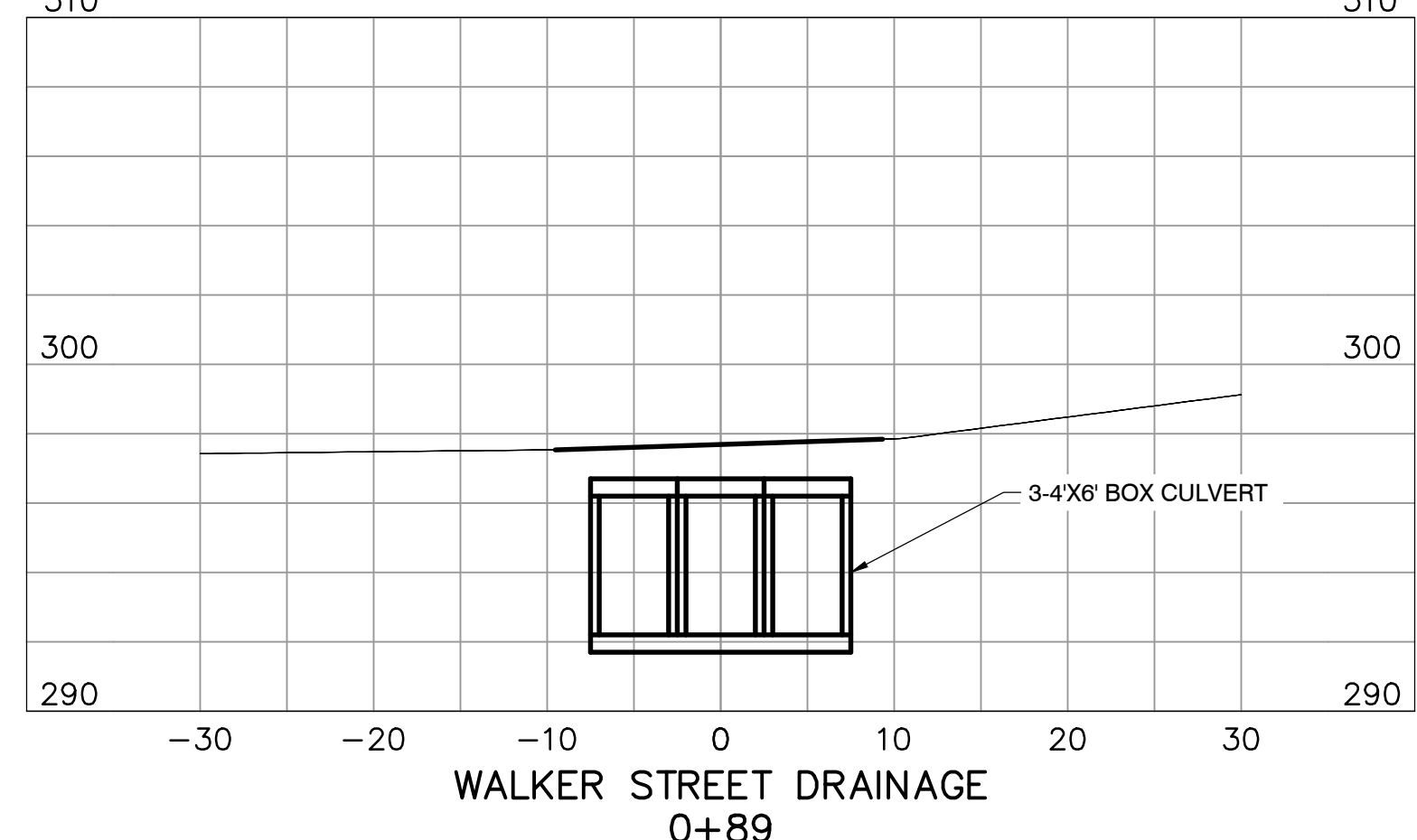
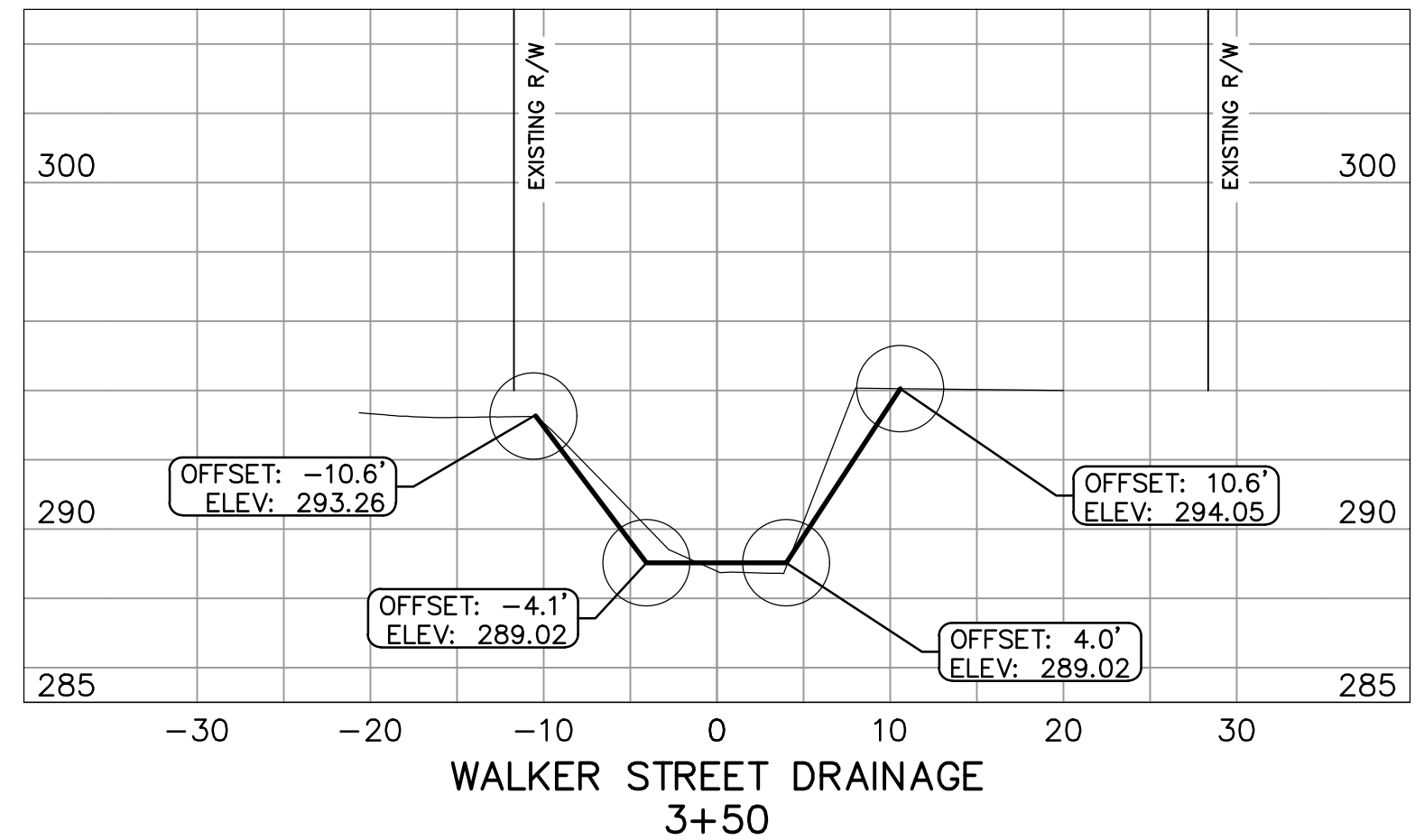
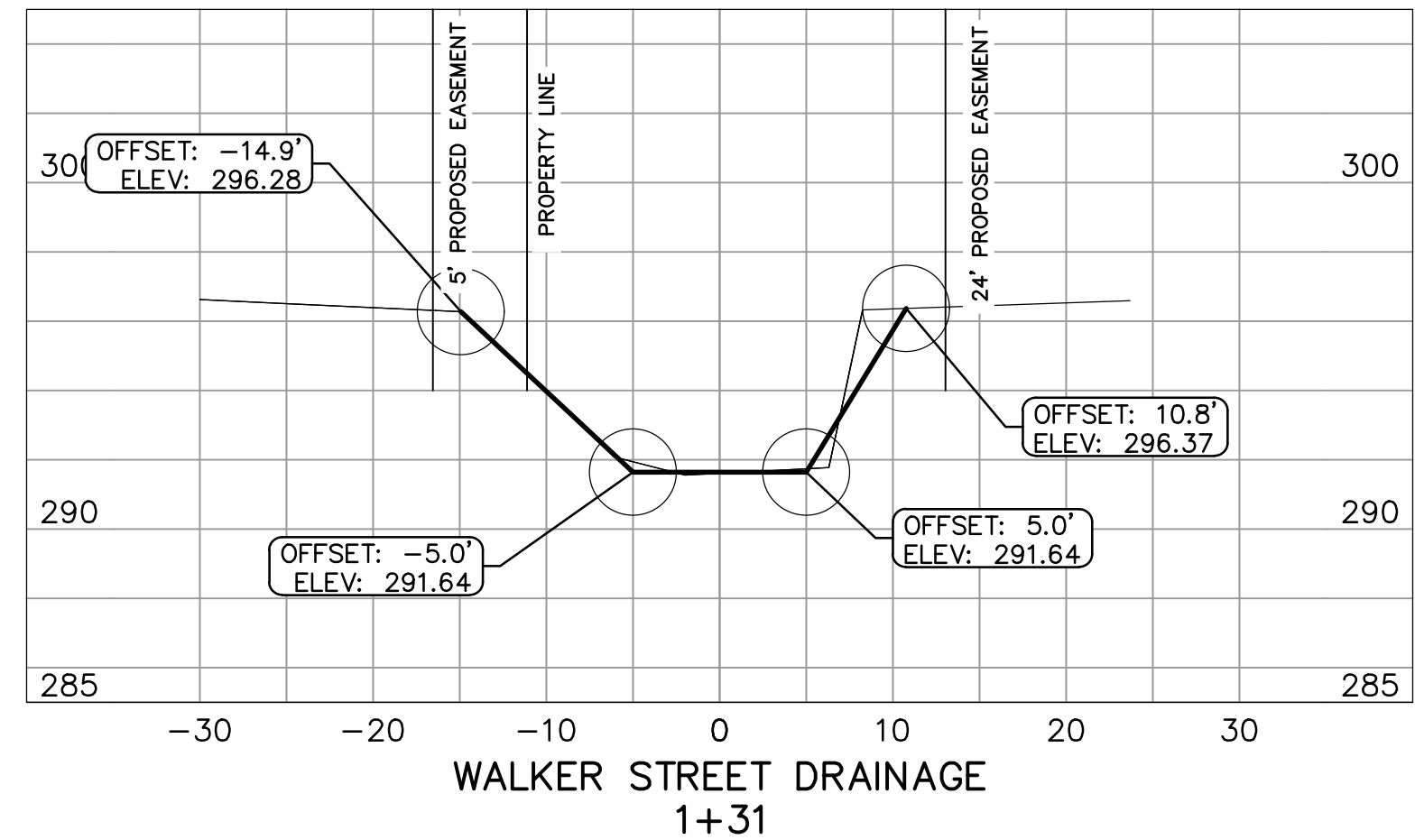
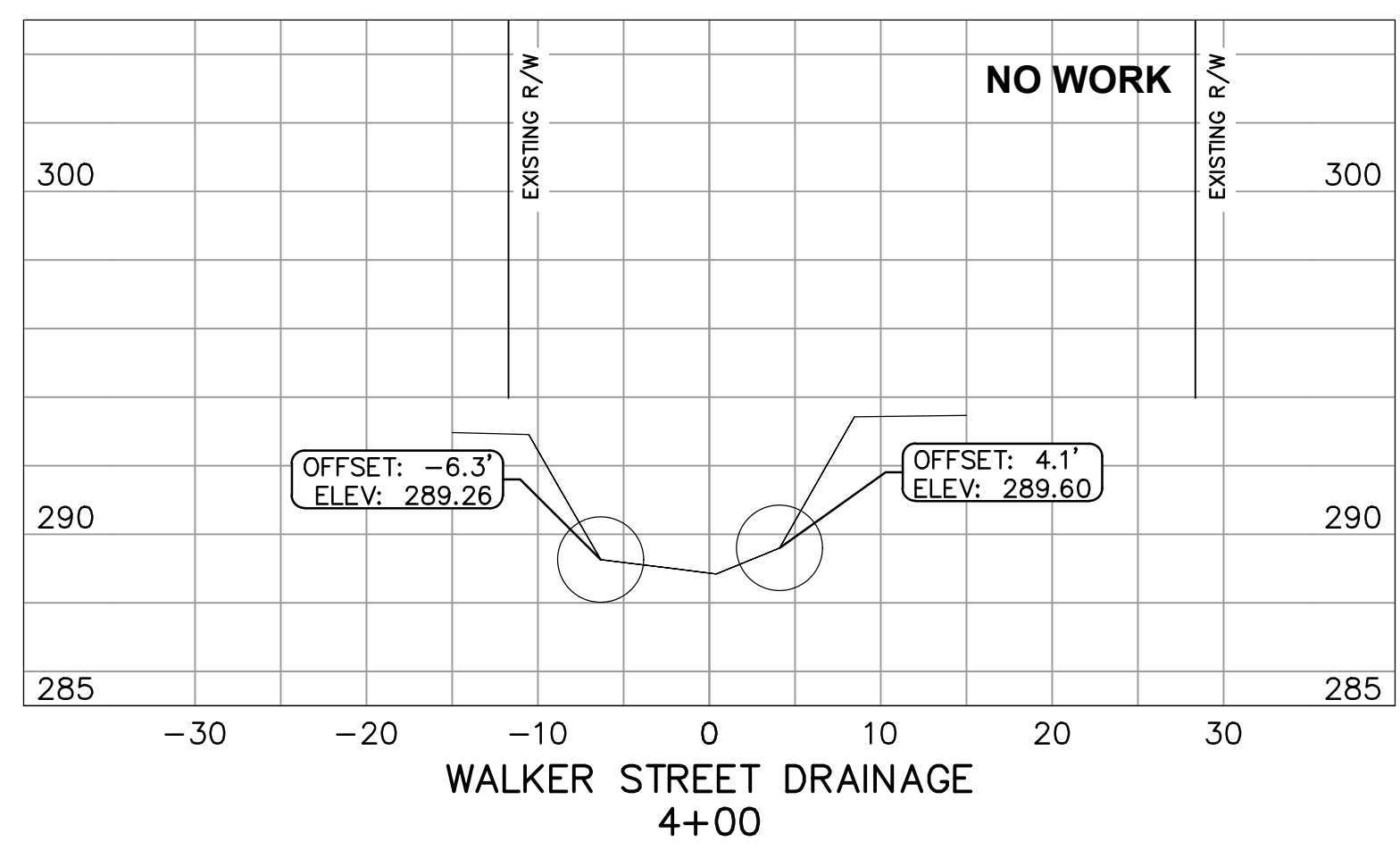
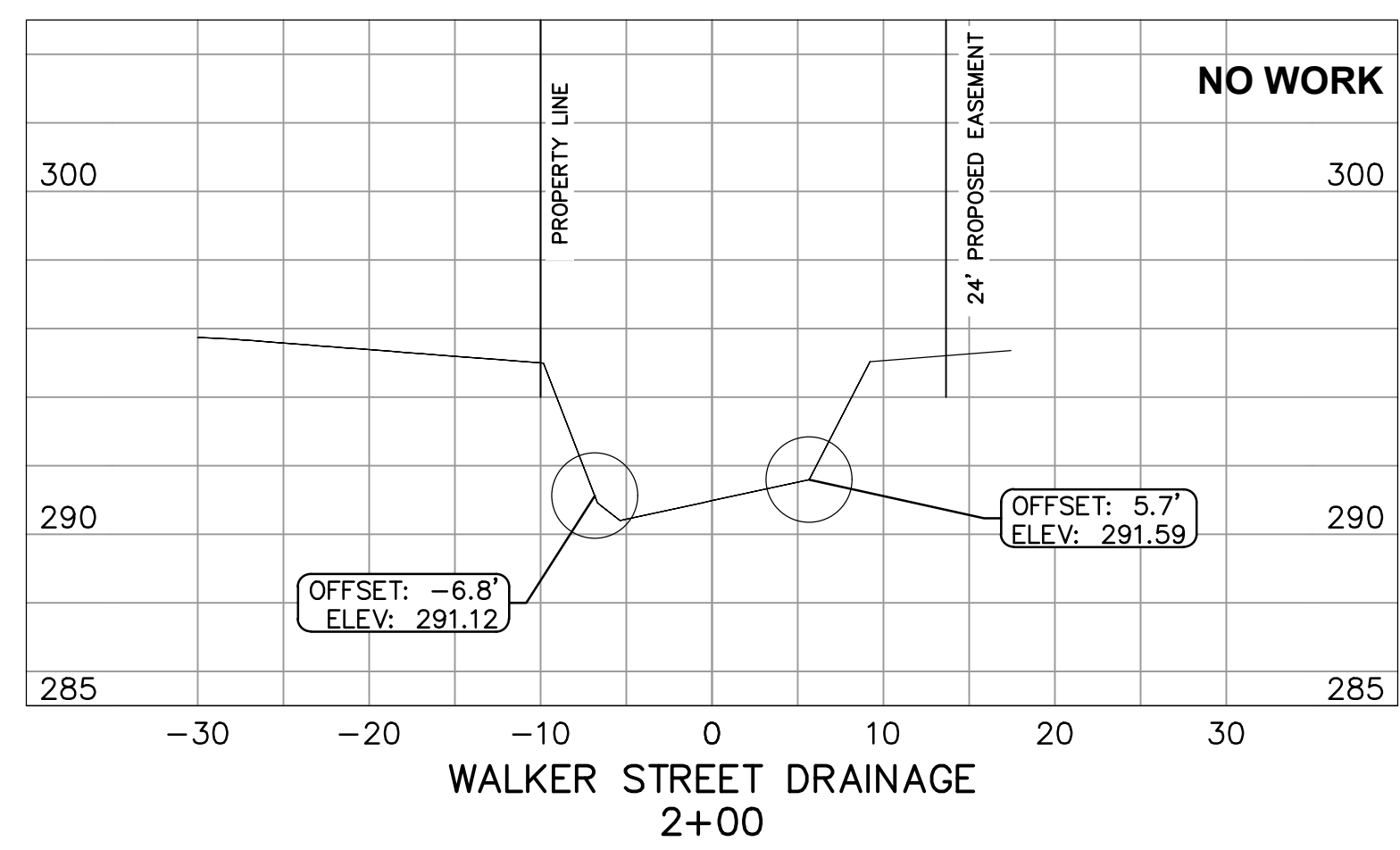
CHECKED
VJW

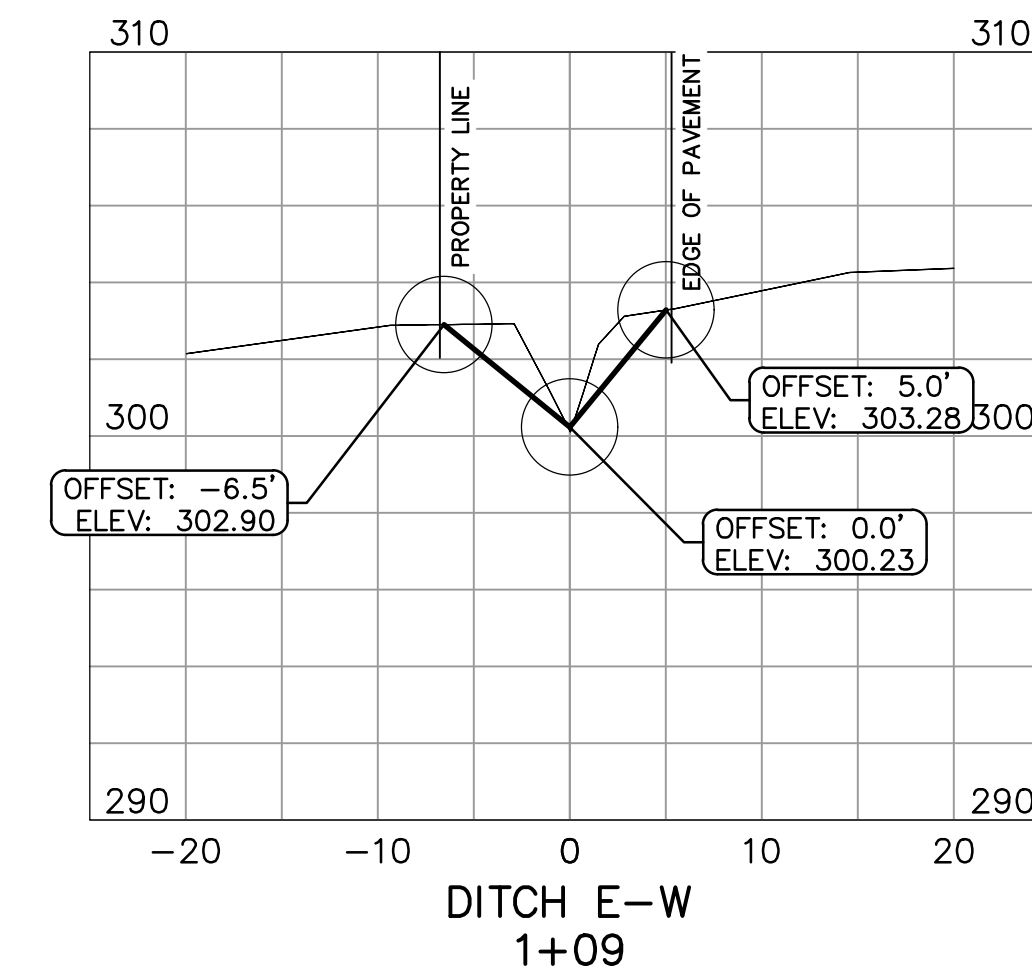
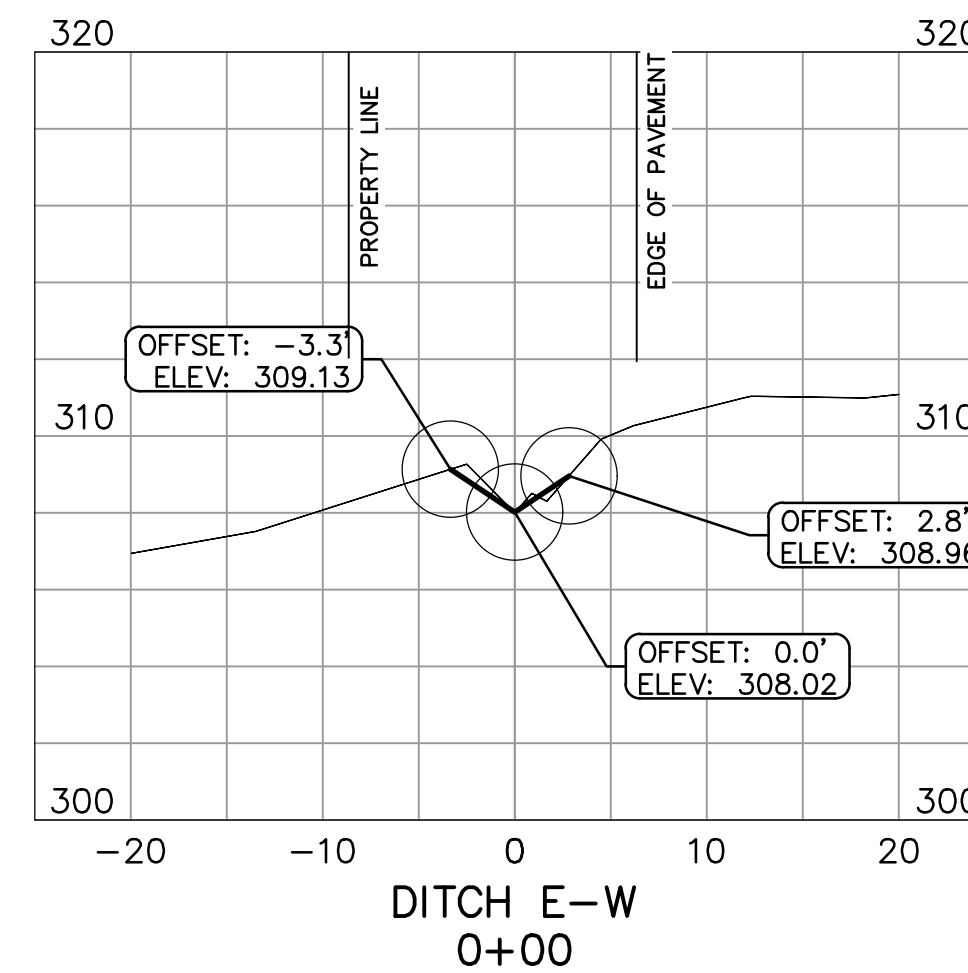
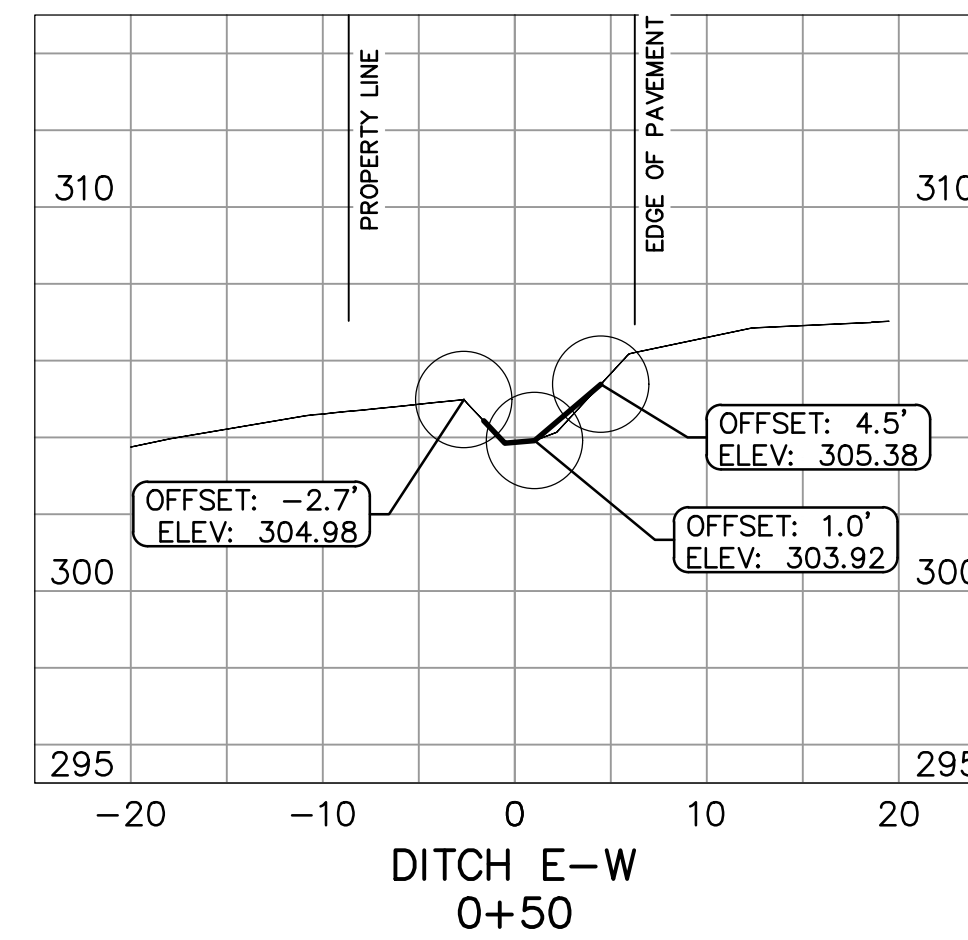
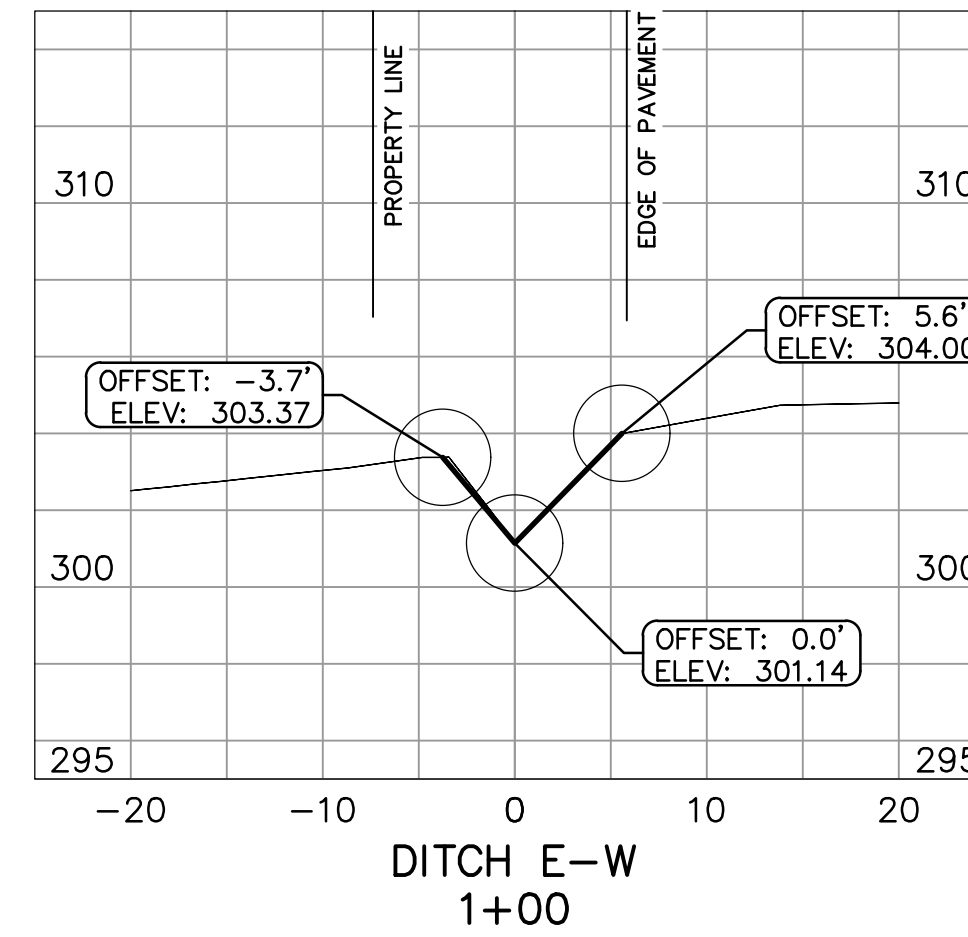
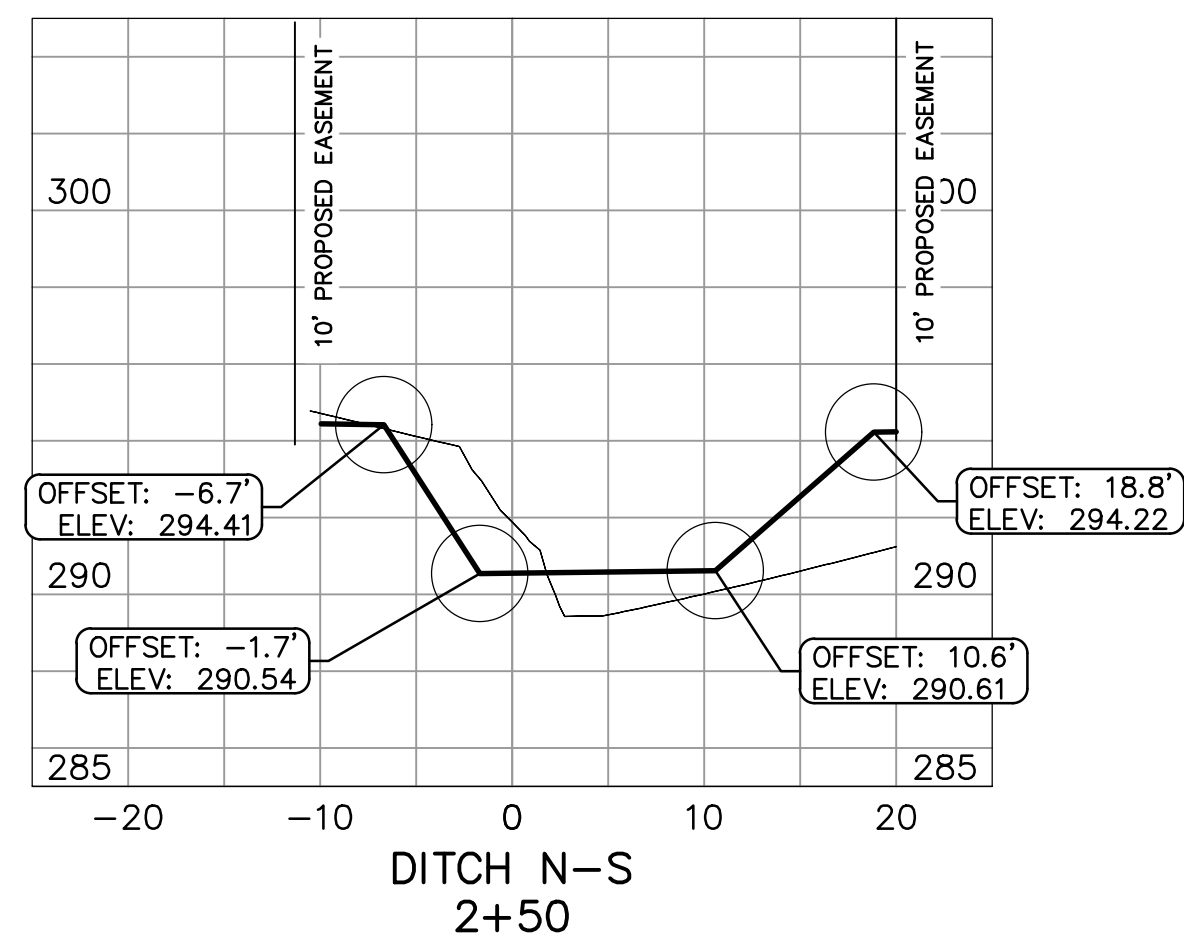
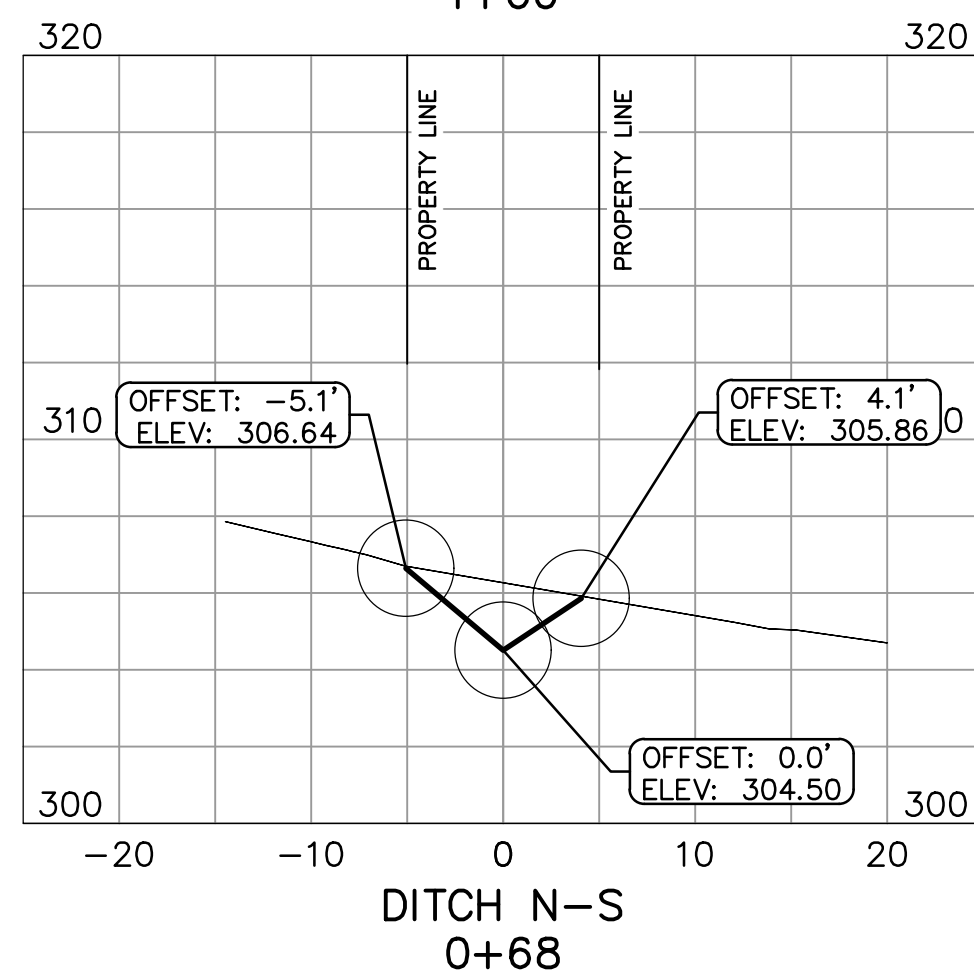
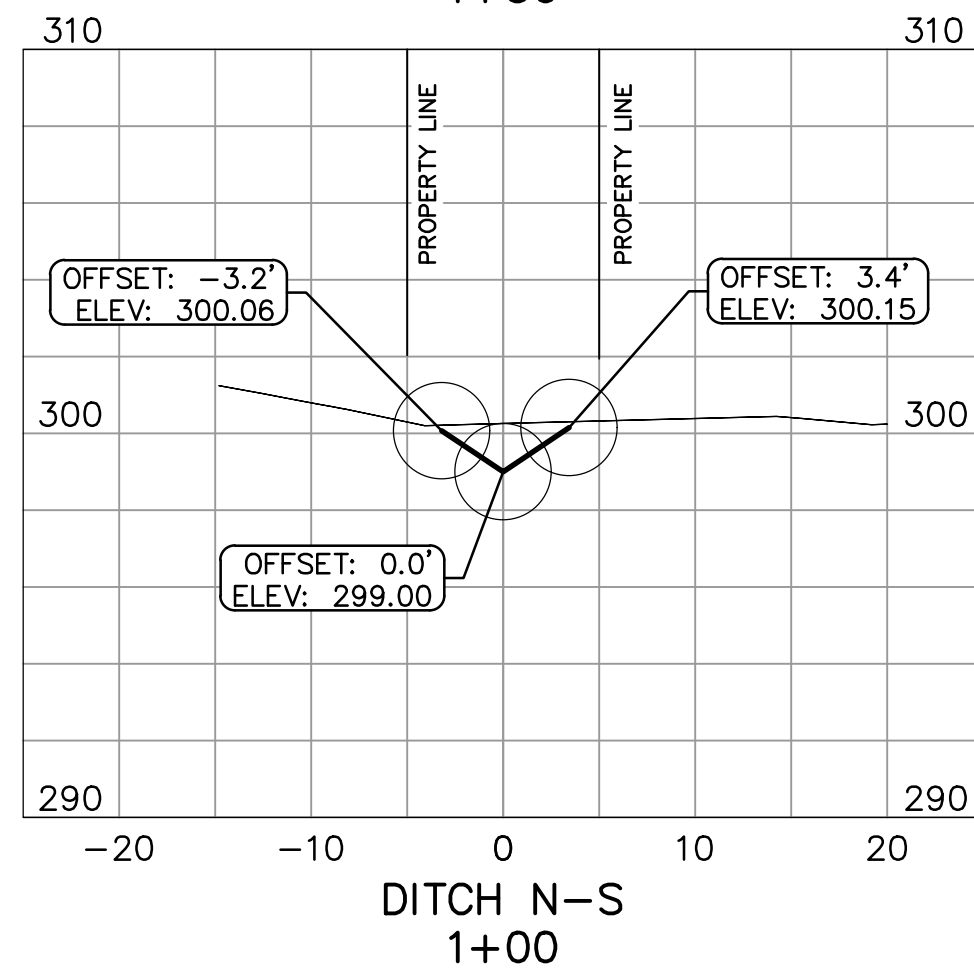
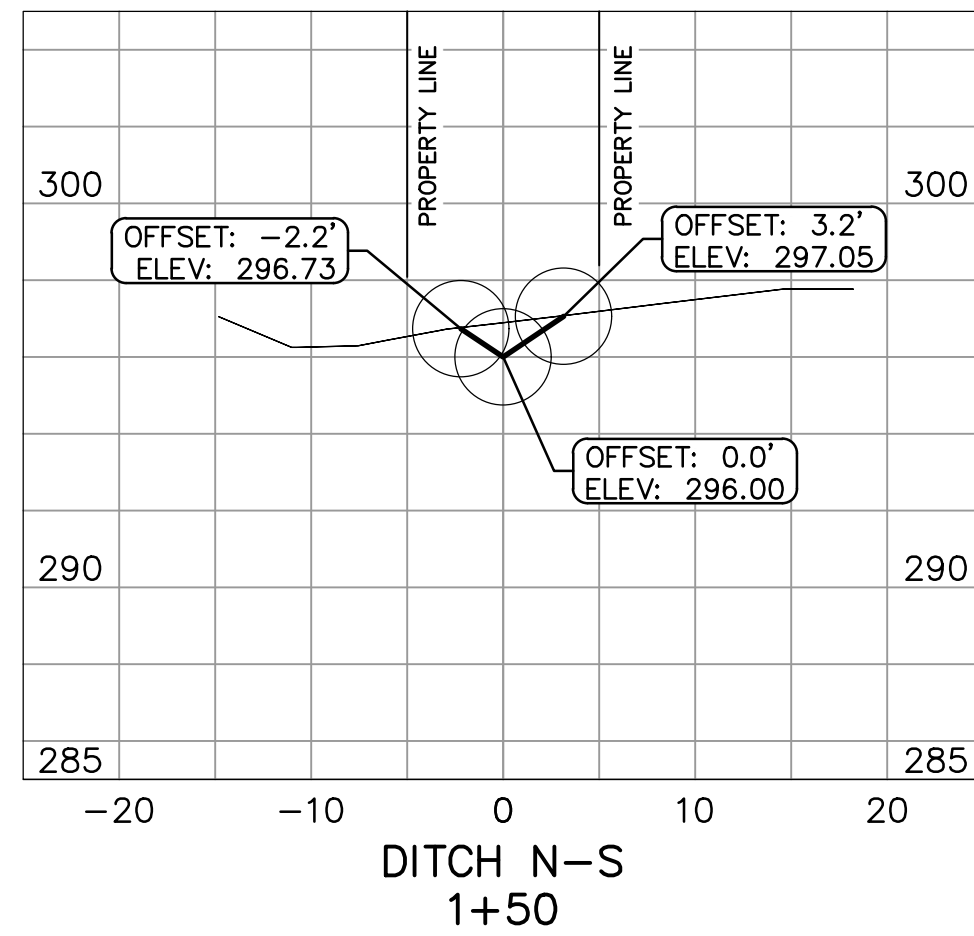
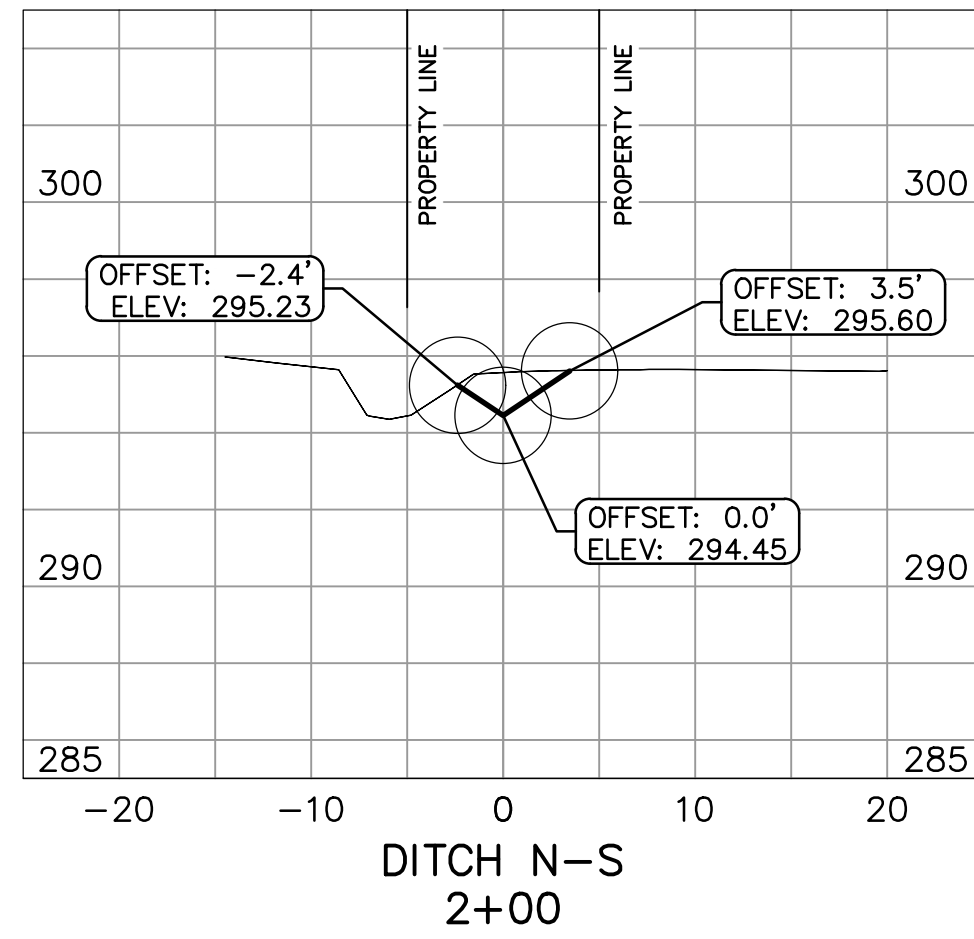
DATE
05-30-2024

SCALE
1"=10' HZ 1"=5' VT

PROJECT NO.
06-22-DR-157

SHEET NO.
C6





REVISIONS DATE

CITY OF LITTLE ROCK, ARKANSAS
WALKER STREET DRAINAGE
CROSS SECTIONS

DEPARTMENT OF PUBLIC WORKS
CIVIL ENGINEERING
701 W. MARKHAM
LITTLE ROCK, ARKANSAS 72201



DRAWN BY
TM
DESIGNED
VJW & TM
CHECKED
VJW
DATE
05-30-2024
SCALE
1"=10' HZ 1"=5' VT
PROJECT NO.
06-22DR-157
SHEET NO.
C7

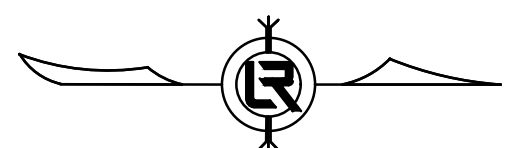
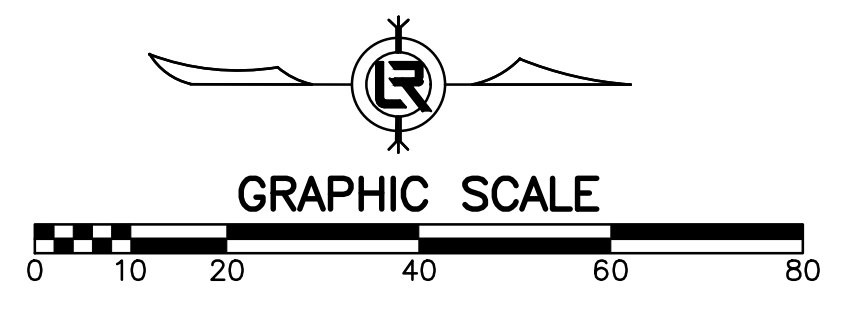
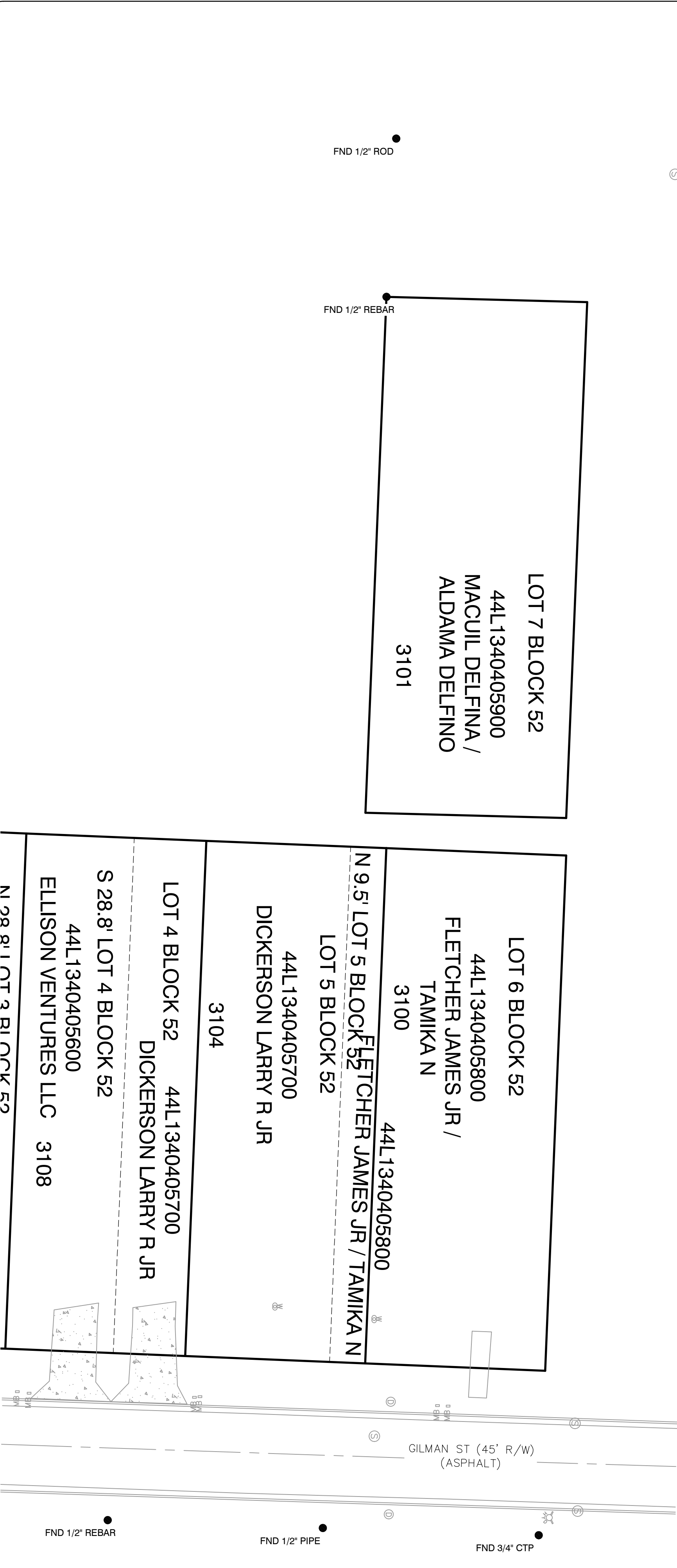
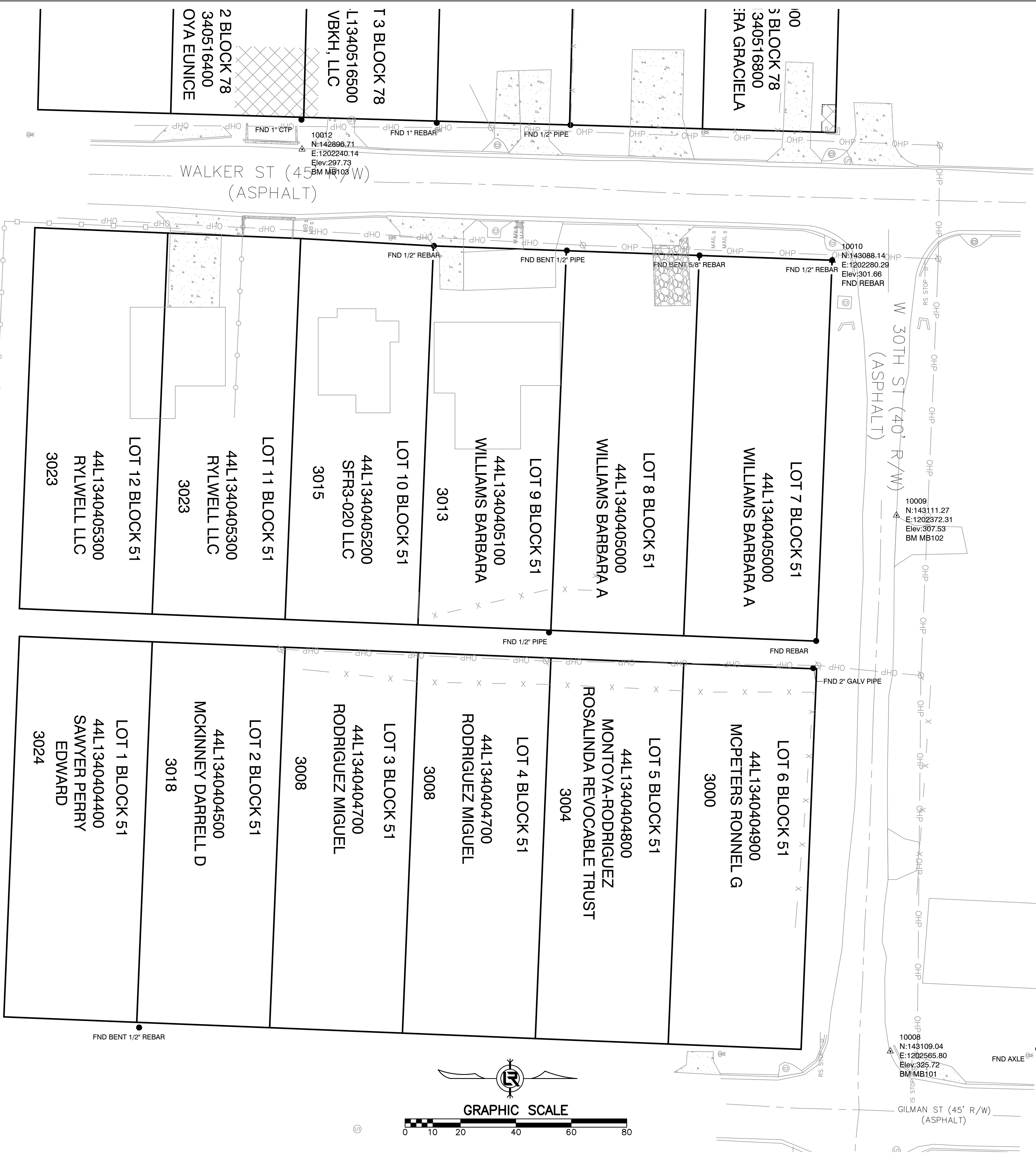
REVISIONS	DATE

SURVEY CONTROL PLAN
WALKER STREET DRAINAGE
CITY OF LITTLE ROCK, ARKANSAS

10222 SASANKAWA, LITTLE ROCK, ARKANSAS
 WARKHAM, W. W. 107
 ENGINEERING CIVIL
 DEPARTMENT OF PUBLIC WORKS



DRAWN BY
GW
DESIGNED
VJW & TM
CHECKED
VJW
DATE
05-30-2024
SCALE
1"=20' (22X34)
PROJECT NO.
06-22-DR-157
SHEET NO.
C8



FND 1/2" ROD

FND 1/2" REBAR

N 9.5' LOT 5 BLOCK 52
 FLETCHER JAMES JR / TAMIKANA
 44L1340405800

LOT 5 BLOCK 52
 44L1340405700
 DICKERSON LARRY R JR
 3104

LOT 4 BLOCK 52
 44L1340405700
 DICKERSON LARRY R JR

S 28.8' LOT 4 BLOCK 52
 44L1340405600

ELLISON VENTURES LLC 3108

N 28.8' LOT 2 BLOCK 52

FND 1/2" PIPE

FND 3/4" CTP

FND 1/2" REBAR

GILMAN ST (45' R/W)
(ASPHALT)

WALKER ST (45' R/W)
(ASPHALT)

W 30TH ST (40' R/W)
(ASPHALT)

T 3 BLOCK 78
 L1340516500
 VBKH, LLC

000
 3 BLOCK 78
 340516800
 IRA GRACIELA

LOT 11 BLOCK 51
 44L1340405300
 RYLWELL LLC
 3023

LOT 12 BLOCK 51
 44L1340405300
 RYLWELL LLC
 3023

LOT 10 BLOCK 51
 44L1340405200
 SFR3-020 LLC
 3015

LOT 9 BLOCK 51
 44L1340405100
 WILLIAMS BARBARA
 3013

LOT 8 BLOCK 51
 44L1340405000
 WILLIAMS BARBARA A

LOT 7 BLOCK 51
 44L1340405000
 WILLIAMS BARBARA A

LOT 2 BLOCK 51
 44L1340404500
 MCKINNEY DARRELL D
 3018

LOT 3 BLOCK 51
 44L1340404700
 RODRIGUEZ MIGUEL
 3008

LOT 4 BLOCK 51
 44L1340404700
 RODRIGUEZ MIGUEL
 3008

LOT 5 BLOCK 51
 44L1340404800
 MONTROYA-RODRIGUEZ
 ROSALINDA REVOCABLE TRUST
 3004

LOT 6 BLOCK 51
 44L1340404900
 MCPETERS RONNEL G
 3000

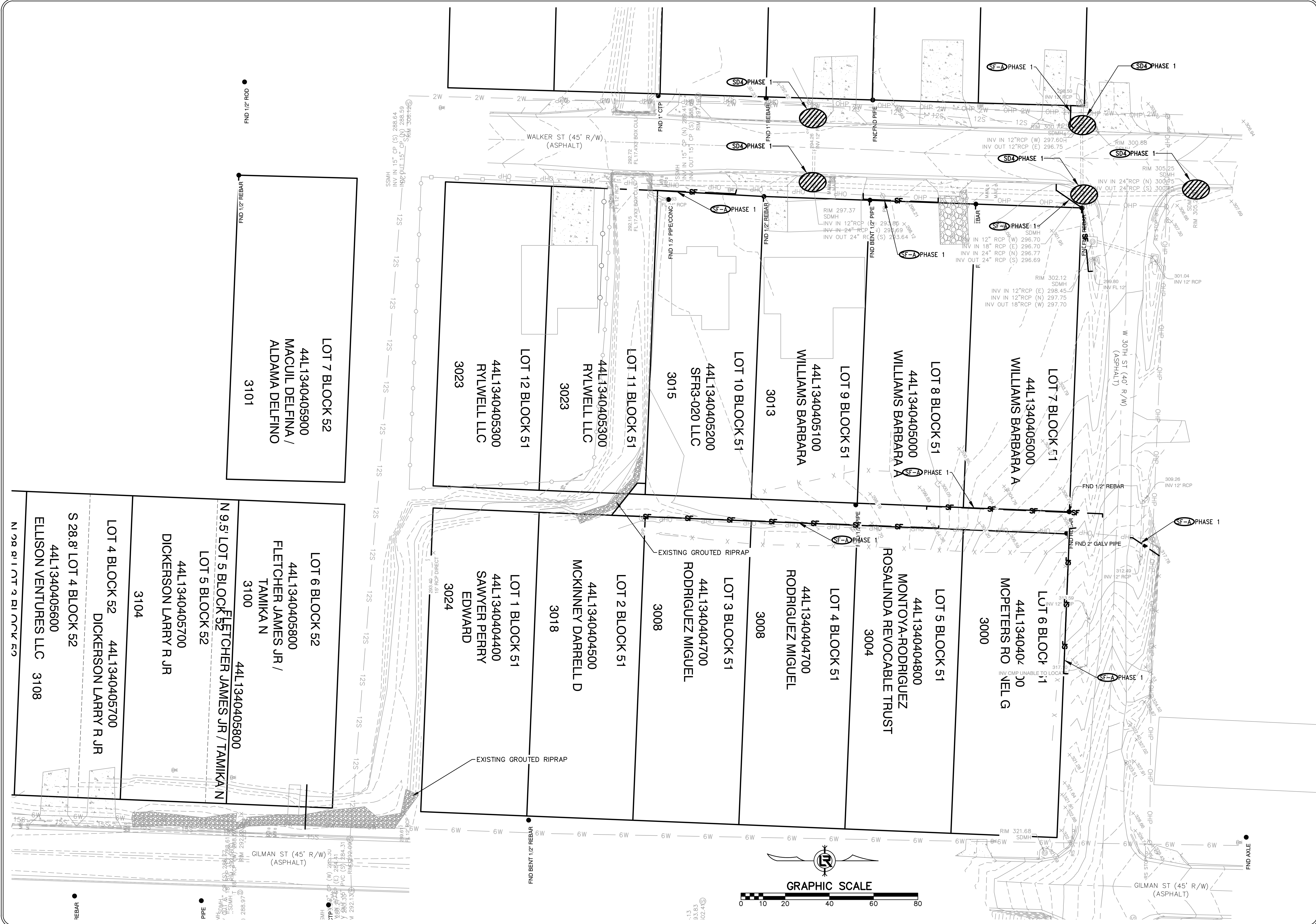
LOT 1 BLOCK 51
 44L1340404400
 SAWYER PERRY
 EDWARD
 3024

10008
 N:143109.04
 E:1202565.80
 Elev:325.72
 BM MB101

10009
 N:143111.27
 E:1202372.31
 Elev:307.53
 BM MB102

10010
 N:143088.14
 E:1202280.29
 Elev:301.66
 FND REBAR

10012
 N:142898.71
 E:1202240.14
 Elev:297.73
 BM MB103



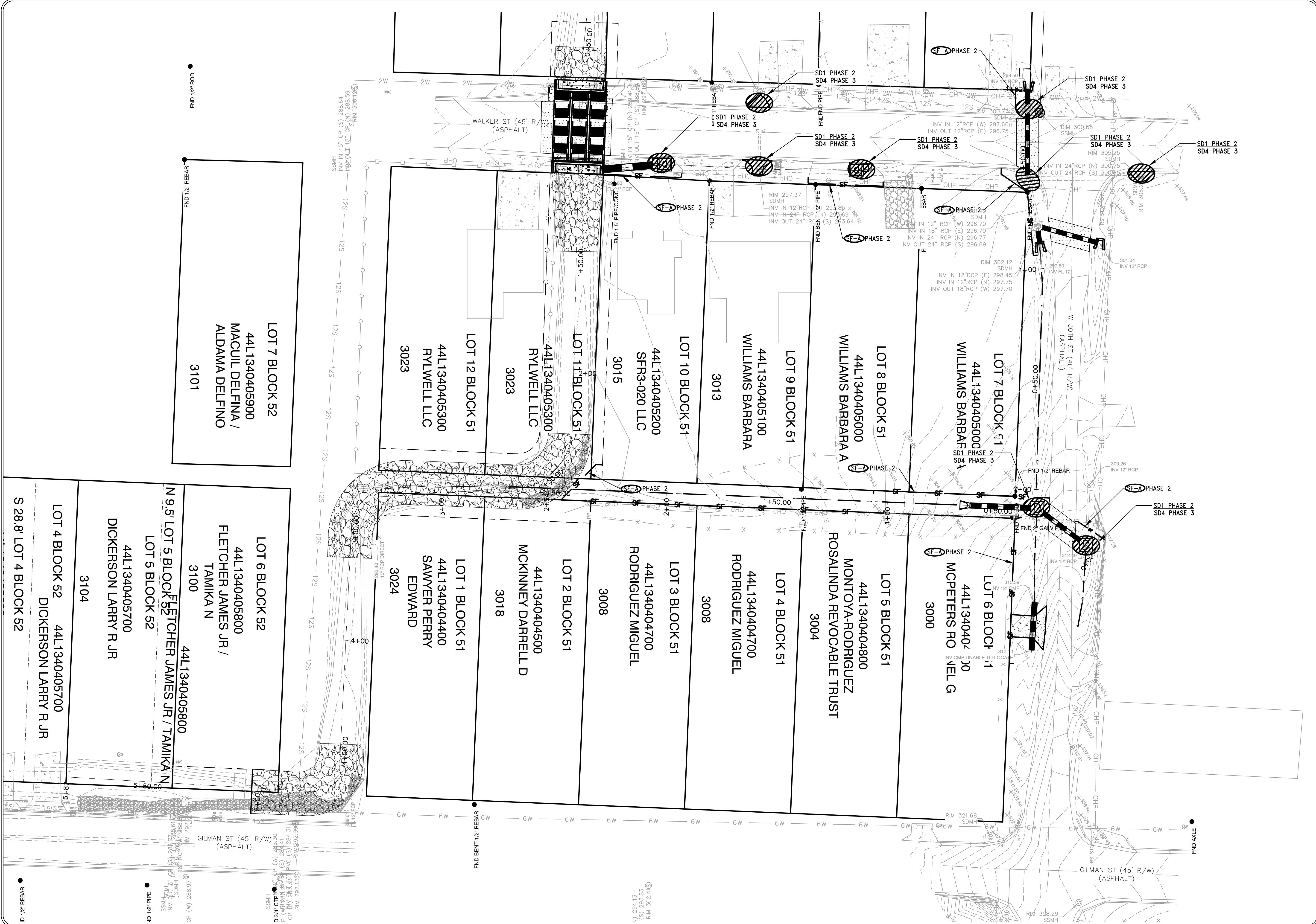
REVISIONS	DATE

CITY OF LITTLE ROCK, ARKANSAS
WALKER STREET DRAINAGE
 EROSION CONTROL PLAN - PHASE 1

10227 SASANKANKA, ARKANSAS
 LITTLE ROCK, AR
 WARKHAM W. 101
 CIVIL ENGINEERING
 DEPARTMENT OF PUBLIC WORKS



DRAWN BY
 TM
DESIGNED
 VJW & TM
CHECKED
 VJW
DATE
 05-30-2024
SCALE
 1"=20' (22X34)
PROJECT NO.
 06-22-DR-157
SHEET NO.
 09



REVISIONS	DATE

CITY OF LITTLE ROCK, ARKANSAS
WALKER STREET DRAINAGE
EROSION CONTROL PLAN - PHASE 2 & 3

17227 SASANKANKA, ARKANSAS, LITTLE ROCK
 MAHARJAN W. 107
 CIVIL ENGINEERING
 DEPARTMENT OF PUBLIC WORKS



DRAWN BY TM
DESIGNED VJW & TM
CHECKED VJW
DATE 05-30-2024
SCALE 1"=20' (22X34)
PROJECT NO. 06-22-DR-157
SHEET NO. C10

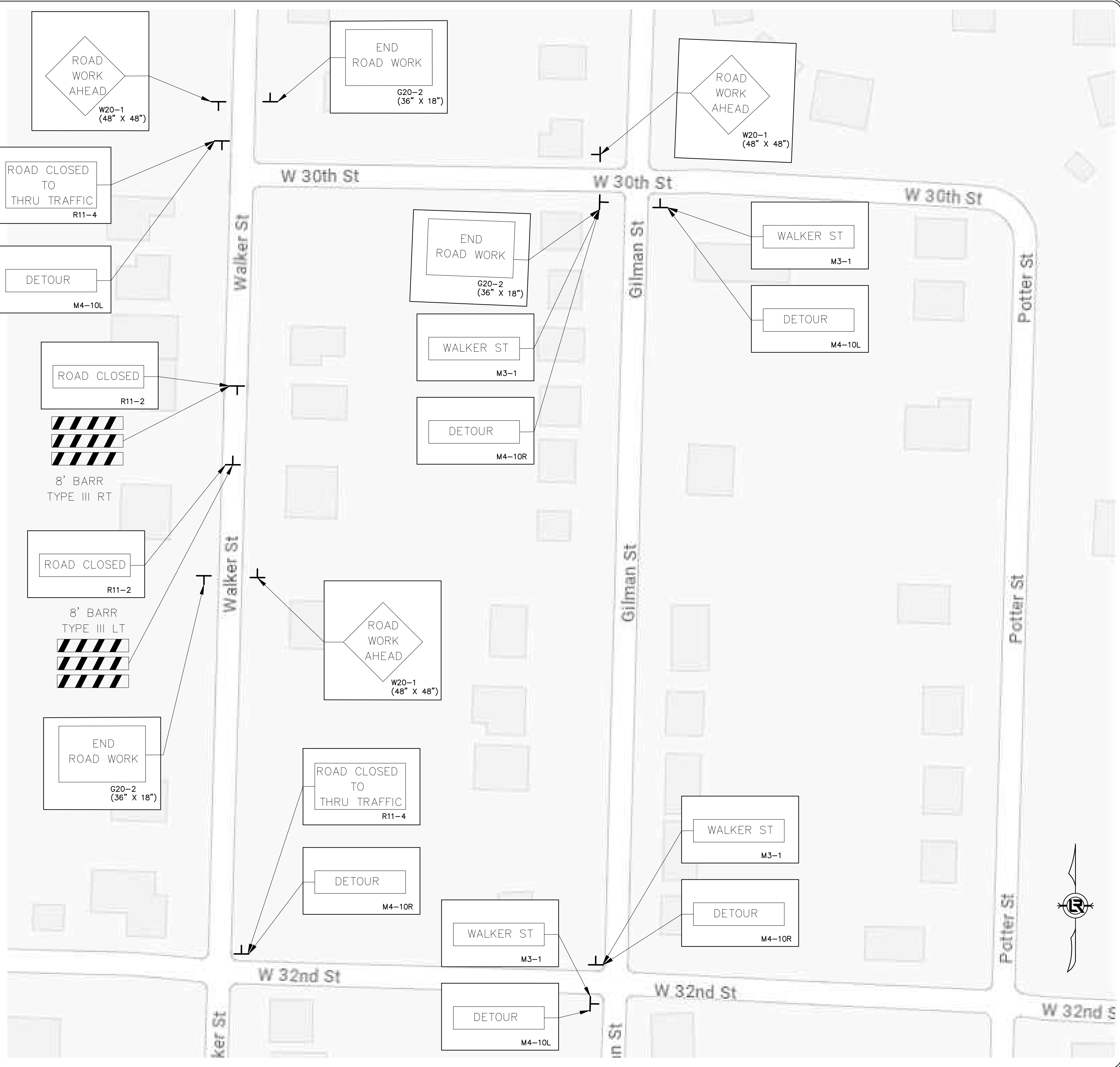
REVISIONS	DATE

CITY OF LITTLE ROCK, ARKANSAS
WALKER STREET DRAINAGE
 MAINTENANCE OF TRAFFIC PLAN

DEPARTMENT OF PUBLIC WORKS
 CIVIL ENGINEERING
 701 W. MARKHAM
 LITTLE ROCK, ARKANSAS 72201

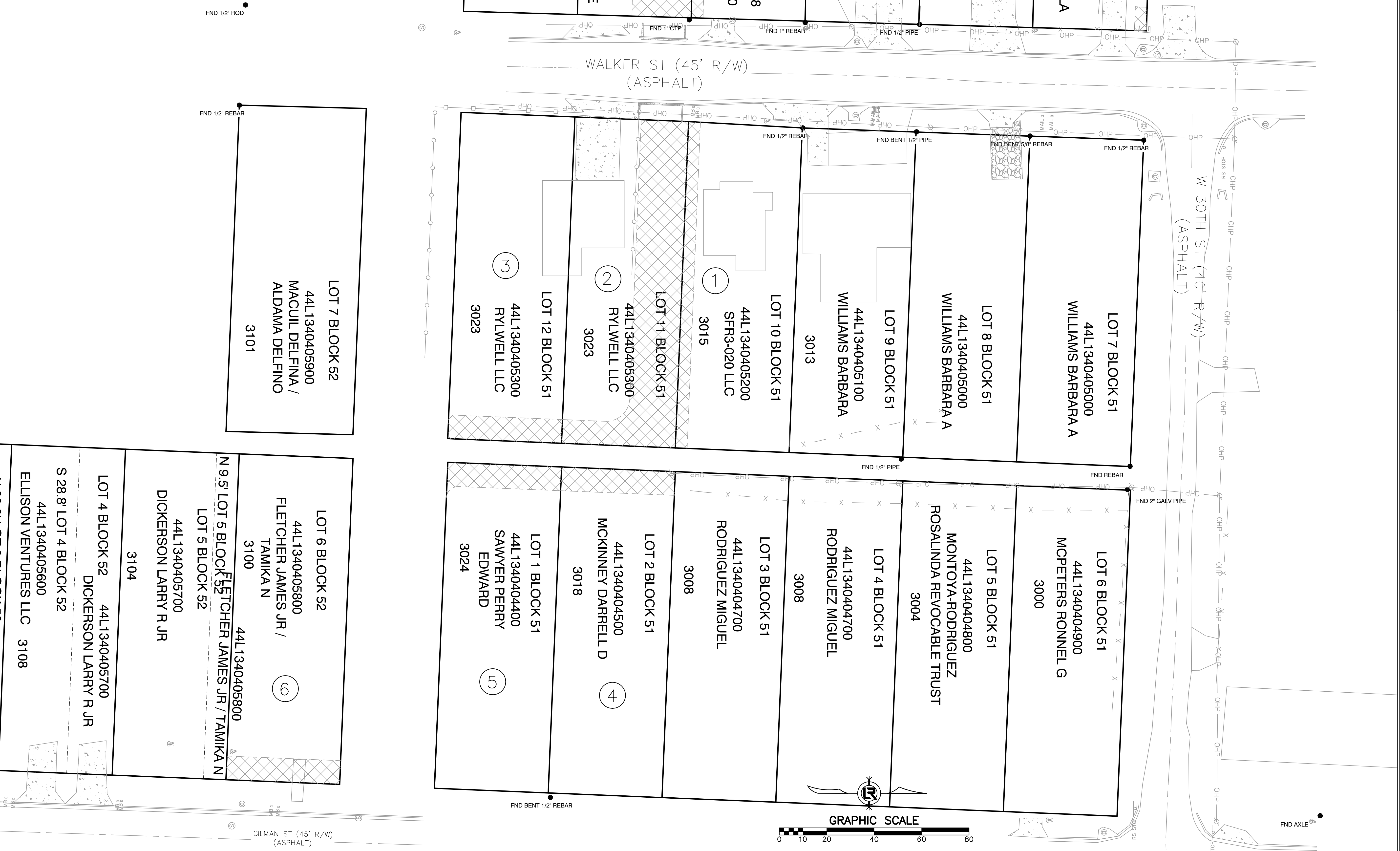


DRAWN BY
TM
DESIGNED
VJW & TM
CHECKED
VJW
DATE
05-30-2024
SCALE
1"=20' (22X34)
PROJECT NO.
06-22-DR-157
SHEET NO.
C11



MAINTENANCE OF TRAFFIC NOTES:
 1. WITHIN CONSTRUCTION LIMITS CONTRACTOR SHALL:
 * MAINTAIN CONTINUOUS VEHICULAR ACCESS TO ALL RESIDENCES.
 * PROVIDE, INSTALL, AND MAINTAIN (INCLUDING RELOCATION AS NEEDED) ALL TRAFFIC CONTROL DEVICES.

OWNERSHIP INFORMATION			
PARCEL NO	NAME	ADDRESS	PARCEL ID
1	SFR3-020 LLC	500 WESTOVER DR #14101 SANFORD, NC 27330-8941	44L1340405200
2	RYLWELL LLC	2900 PERCY MACHIN DR NORTH LITTLE ROCK, AR 72114-2144	44L1340405300
3	RYLWELL LLC	2900 PERCY MACHIN DR NORTH LITTLE ROCK, AR 72114-2144	44L1340405300
4	DARRELL D MCKINNEY	3018 GILMAN ST, LITTLE ROCK, AR 72204-4663	44L1340404500
5	PERRY EDWARD SAWYER	3024 GILMAN ST, LITTLE ROCK, AR 72204-4663	44L1340404400
6	JAMES FLETCHER JR AND TAMIKA N FLETCHER	9522 LOETSCHER LN, LITTLE ROCK, AR 72209-7836	44L1340405800
7	VBKH, LLC	3500 PARK CENTER DR STE 100, DAYTON, OH 45414-2680	44L1340516500
8	EUNICE MONTOYA	3008 WALKER ST, LITTLE ROCK, AR 72204-4669	44L1340516400
9	GRACIELA TALAVERA	3000 WALKER ST, LITTLE ROCK, AR 72204-4669	44L1340516800



REVISIONS	DATE

PROPERTY OWNERSHIP
PWM
CITY OF LITTLE ROCK, ARKANSAS
WALKER STREET DRAINAGE

10221 SASNAKVA, ARKANSAS, LITTLE ROCK
 WARKHAM, W. IOT
 ENGINEERING CIVIL
 DEPARTMENT OF PUBLIC WORKS



DRAWN BY
GW
DESIGNED
VJW & TM
CHECKED
VJW
DATE
05-30-2024
SCALE
1"=20' (22X34)
PROJECT NO.
06-22-DR-157
SHEET NO.
C12