

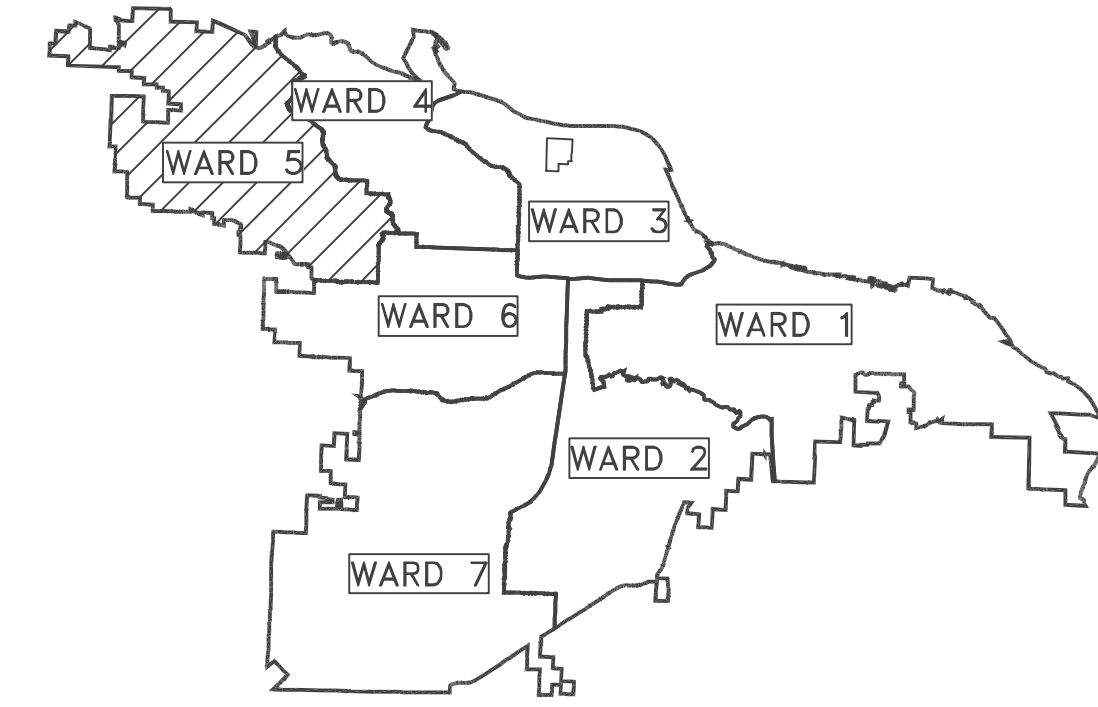
# CLR PROJECT 05-22-DR-37

## WARD 5

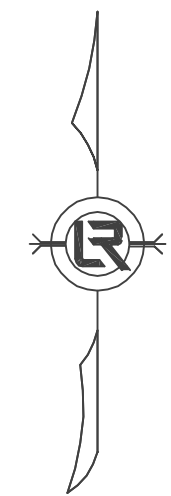
# CHENAL PARKWAY AT FITZROY APT DRAINAGE

REVISIONS	DATE

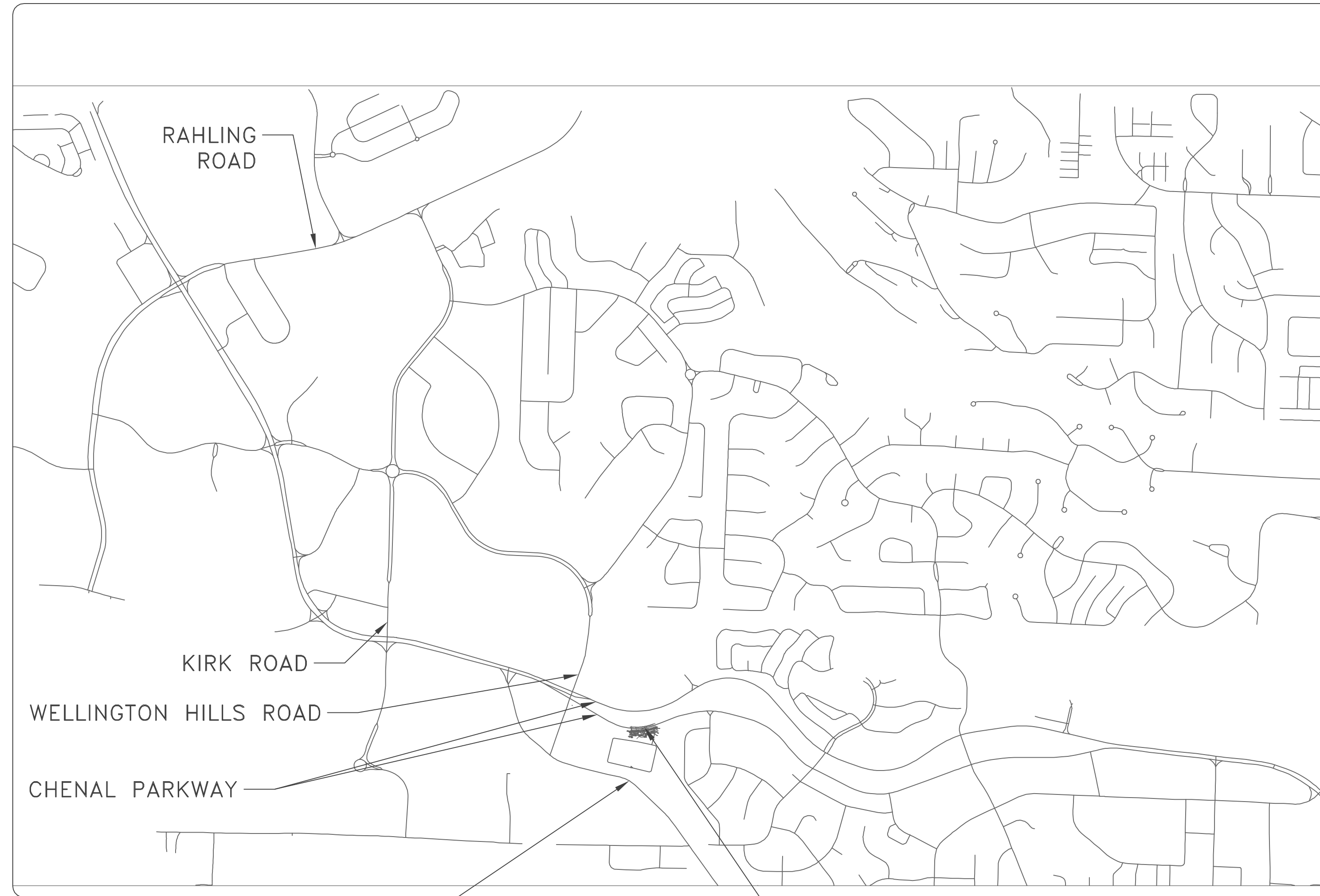
CITY OF LITTLE ROCK, ARKANSAS  
 WARD 5 05-22-DR-37 CHENAL PARKWAY  
 AT FITZROY APT  
 COVER SHEET



PROJECT LOCATION – WARD 3  
 34°46'09.25"N 92°20'13.43"W  
 34.7692–92.3371



SCALE: 1"=20'



SHEET NO.	TITLE
C1	COVER SHEET
C2	LEGEND AND DETAIL SHEET
C3	DETAIL SHEET
C4	EXISTING PLAN SHEET
C5	PLAN AND PROFILE SHEET
C6	EROSION CONTROL SHEET
C7	TRAFFIC MAINTENANCE SHEET



**2023-2025**  
**BOND PROGRAM**

DEPARTMENT OF PUBLIC WORKS  
 CIVIL ENGINEERING  
 701 WEST MARKHAM STREET  
 LITTLE ROCK, ARKANSAS 72201



Know what's below.  
 Call before you dig.



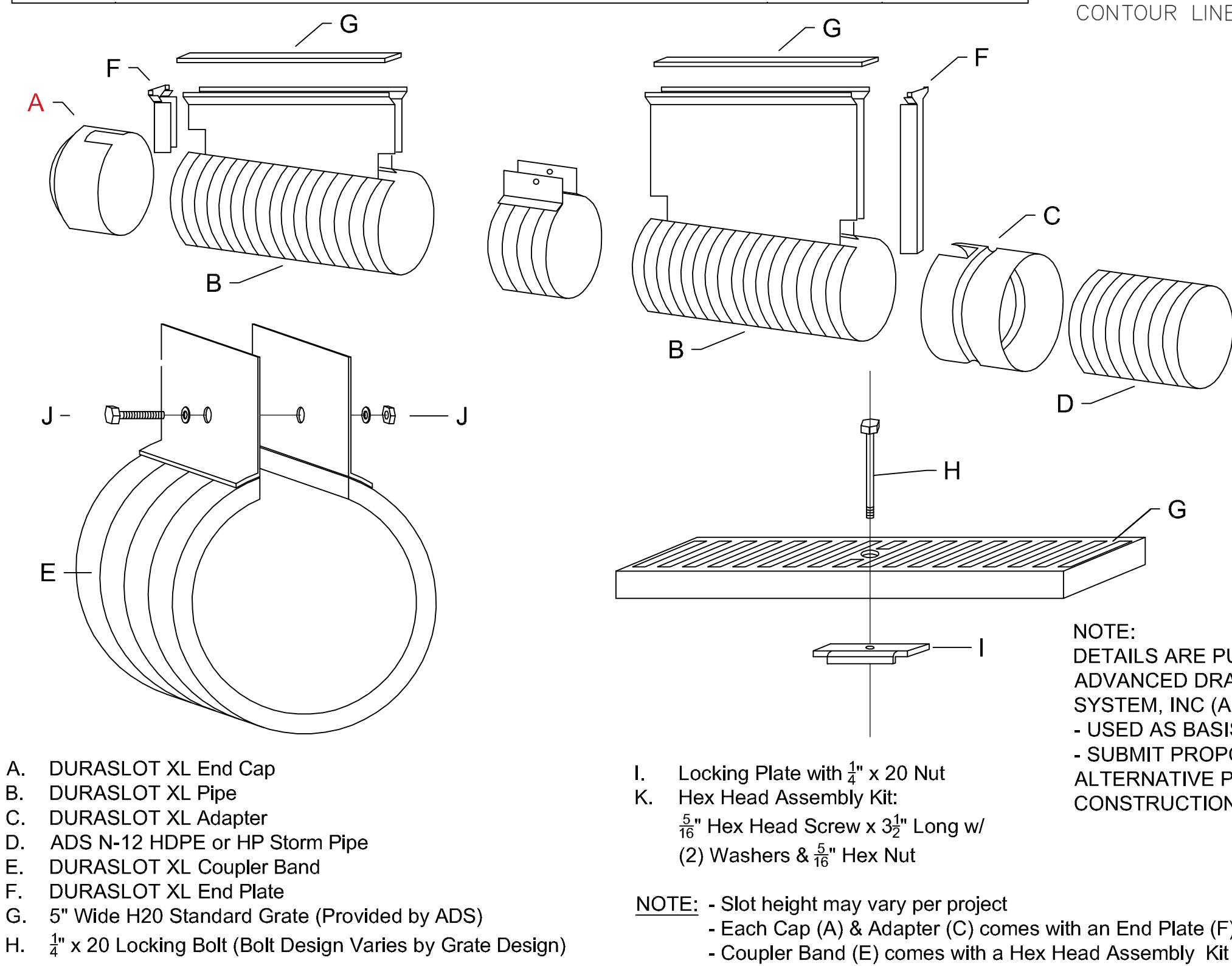
1300 east 6th Street little rock, ar 72202  
 501.372.2900 cromwell.com

DEPARTMENT OF PUBLIC WORKS  
 CIVIL ENGINEERING  
 701 W. MARKHAM  
 LITTLE ROCK, ARKANSAS 72201

DRAWN BY	MJT
DESIGNED	MJT
CHECKED	CGW
DATE	03-04-2024
SCALE	N.T.S.
PROJECT NO.	##
SHEET NO.	C1

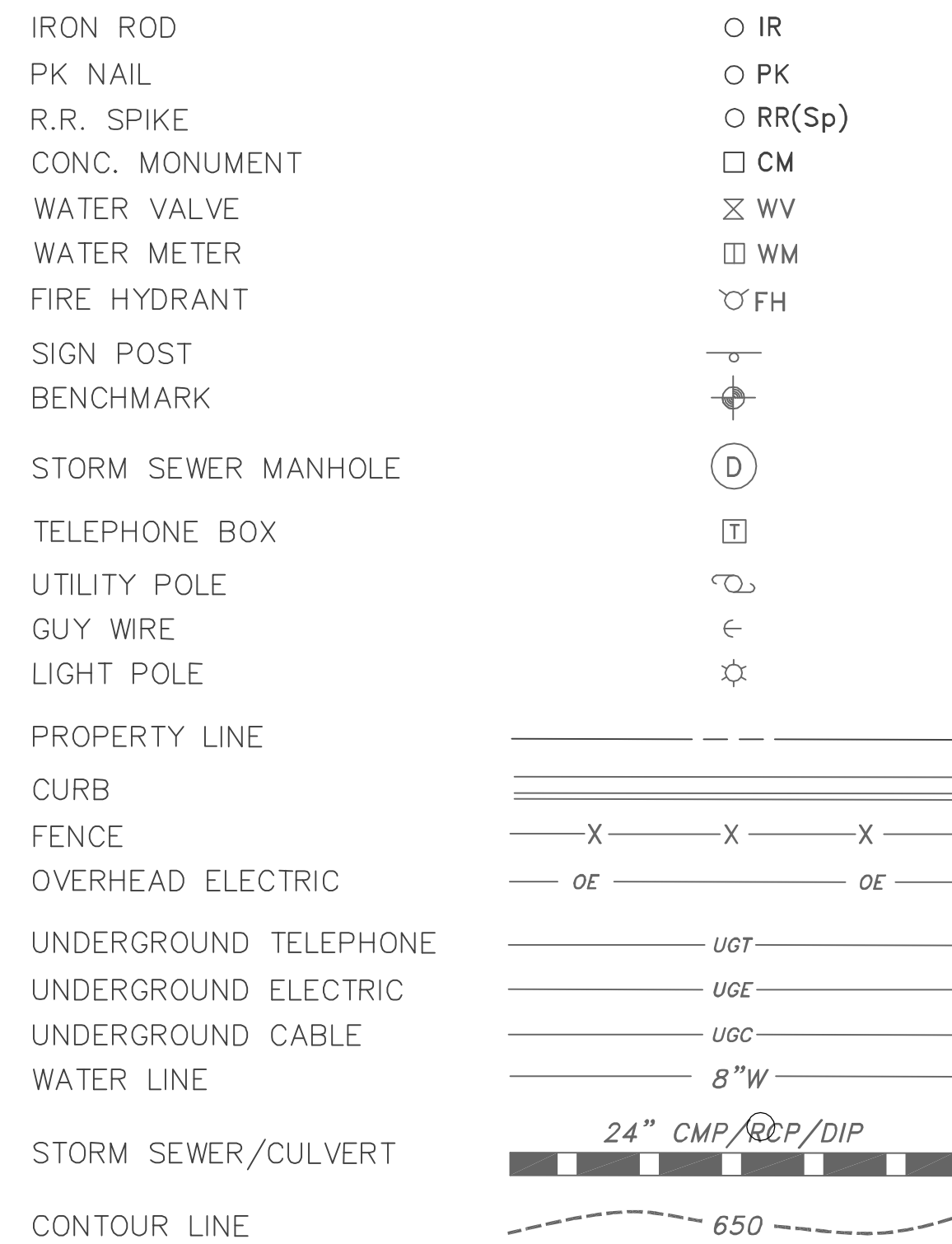


CLR PROJECT #			
WARD 5 Chenal Parkway at Fitzroy Apts.			
4-Mar-24			
ITEM #	ITEM DESCRIPTION	UNIT	QUANTITY
2.01	SITE PREPARATION (includes Mobilization)	LS	1
7.01	CONCRETE PAVING (8" THICK), STANDARD FINISH (includes CONCRETE DEMO)	SF	220
8.01	CONCRETE CURB AND GUTTER (CLASS 3)	LF	10
9.01	CONCRETE SIDEWALK, 4"	SF	72
10.01	JUNCTION BOX & INLINE AREA DRAINS W/ GRATES	EA	6
13.01	15" PIPE CULVERTS AND STORM DRAIN PIPING (SIDE DRAIN)	LF	128
13.01	15" PIPE CULVERTS AND STORM DRAIN PIPING W/ 5" SLOT DRAIN (SIDE DRAIN) - INCLUDE AS-BUILTS SURVEY OF STROM DRAIN LINE PER CITY REQUIREMENTS	LF	40
14.01	SOLID SODDING (ZOYSIA) + 4" TOP SOIL	SY	55
16.01	MAINTENANCE OF TRAFFIC	LS	1
19.01	FINAL CLEANUP	LS	1
24.01	SILT FENCE - TYPE C (SFC) PW-63	LF	150
24.02	SEDIMENT BARRIER, BLOCK (SB-2) PW-72	EA	3
<b>SCHEDULE B</b>			
Chenal Dr. at Fitzroys Pavement repairs			
Item#	Item Description	Unit	Quantity
2.01	SITE PREPARATION (INCLUDING SAWCUTTING)	LS	1
3.01	UNCLASSIFIED EXCAVATION	CY	175
4.01	AGGREGATE BASE COURSE	TON	170
6.01	ACHM SURFACE COURSE	TON	115
16.01	MAINTENANCE OF TRAFFIC	LS	1
19.01	FINAL CLEANUP	LS	1
719.04W	THERMOPLASTIC PAVEMENT MARKING WHITE (4")	LF	278
719.08Y	THERMOPLASTIC PAVEMENT MARKING YELLOW (4")	LF	278

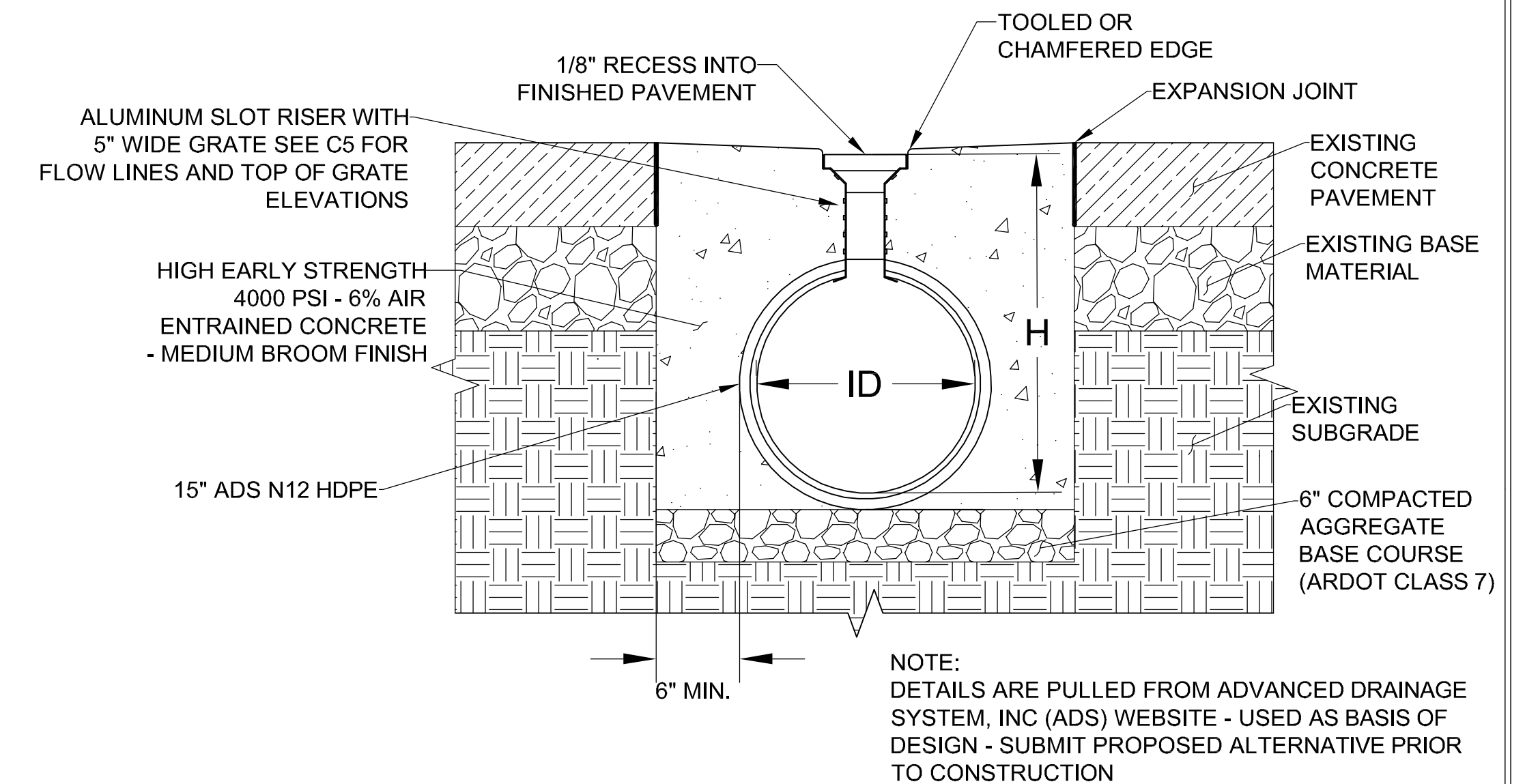
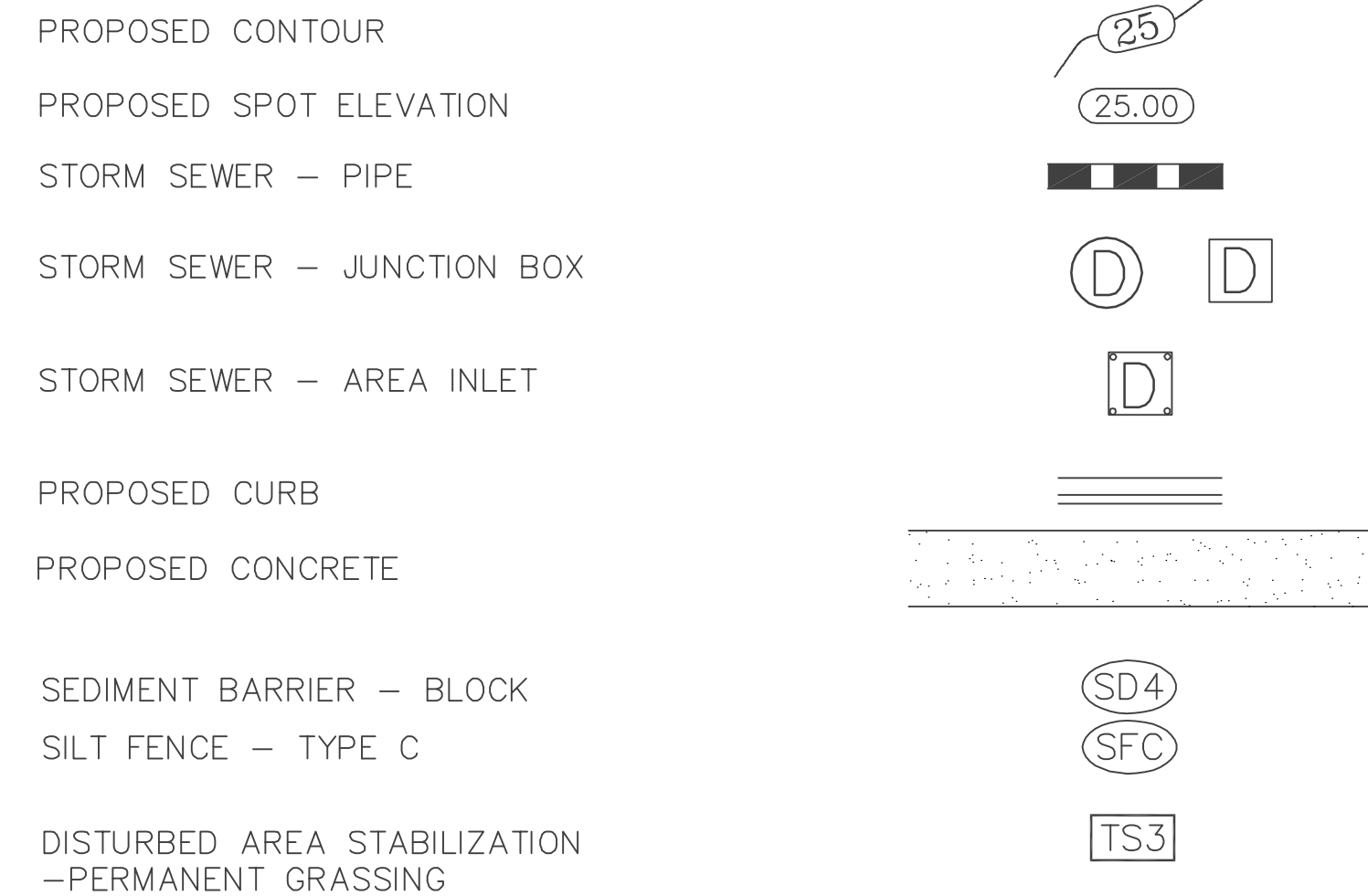


**2** SLOT DRAIN ASSEMBLY DETAIL  
NOT TO SCALE

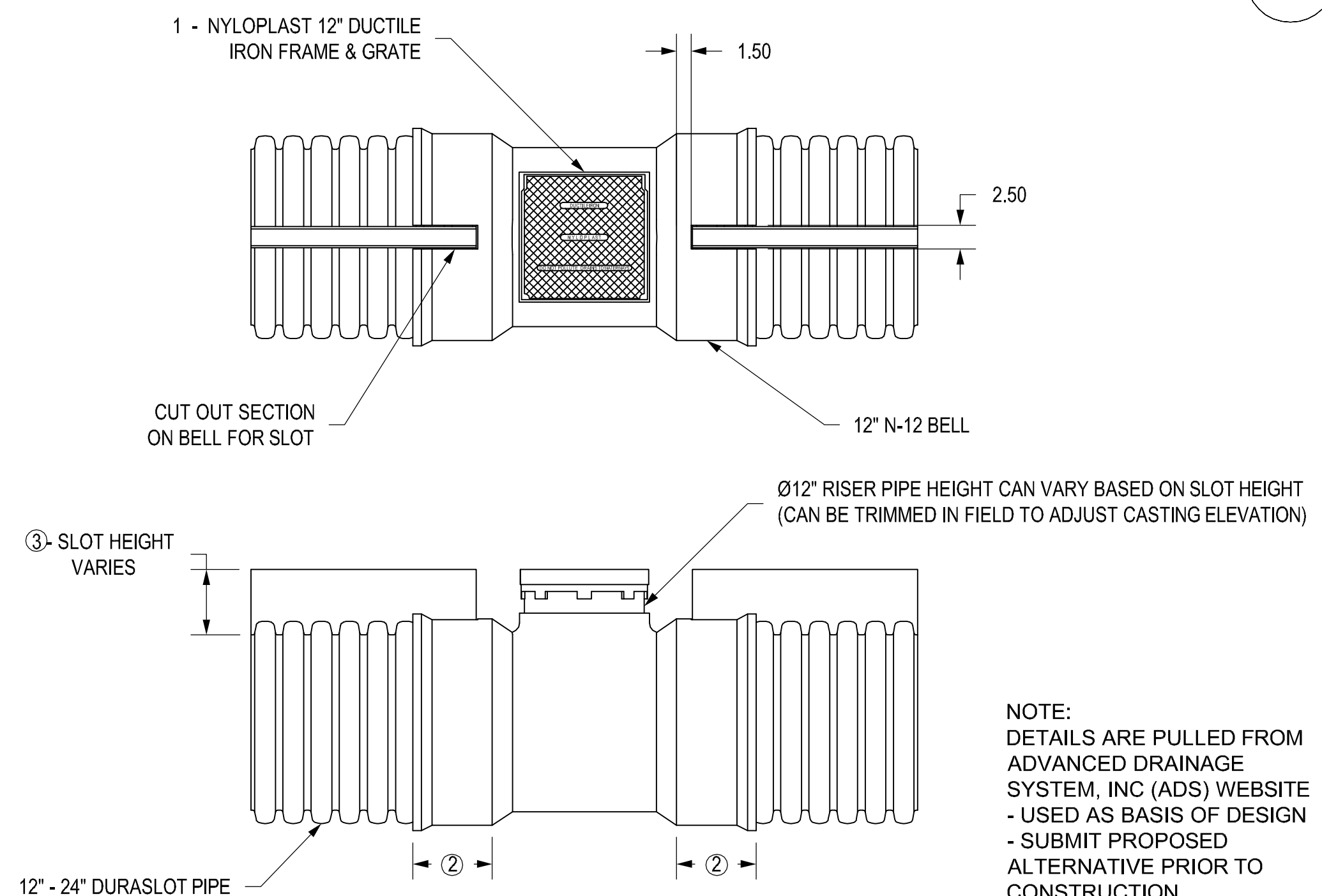
**EXISTING**



**PROPOSED**



**1** SLOT DRAIN DETAIL  
NOT TO SCALE



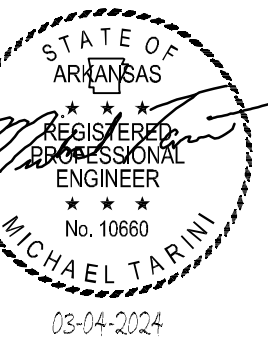
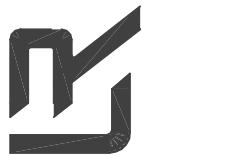
**3** DURASLOT TEE STANDARD DETAIL  
NOT TO SCALE

REVISIONS	DATE

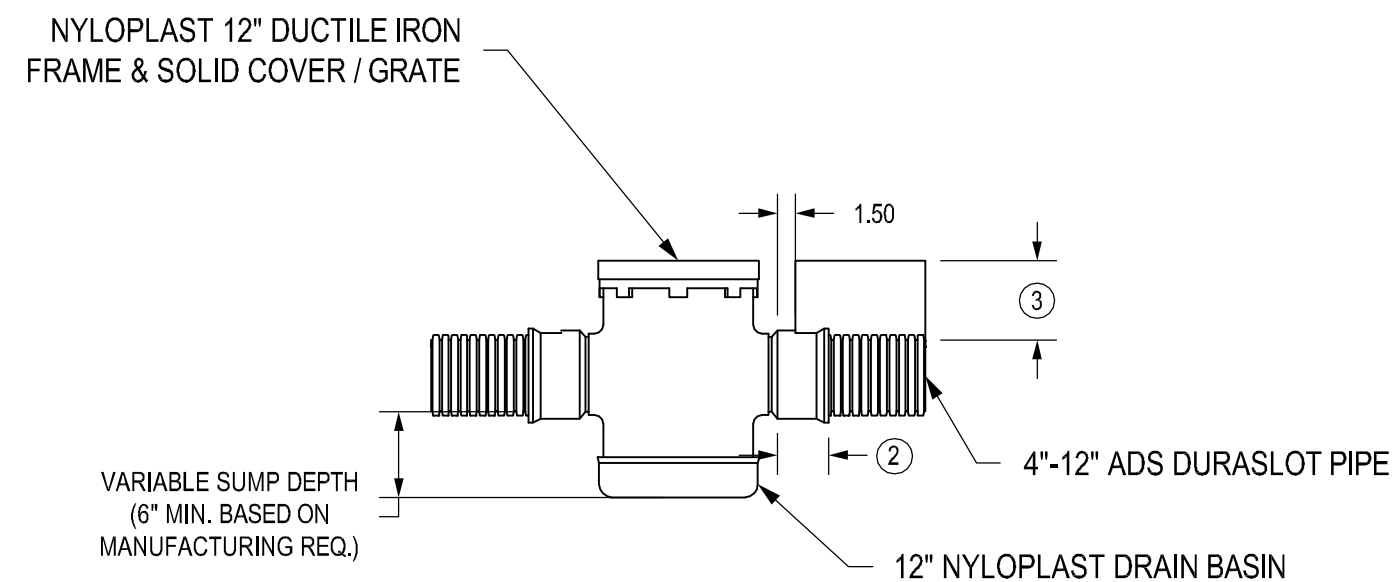
CITY OF LITTLE ROCK, ARKANSAS  
 WARD 05-22-DR-37 CHENAL PARKWAY  
 AT FITZROY APT  
 LEGEND AND DETAIL SHEET



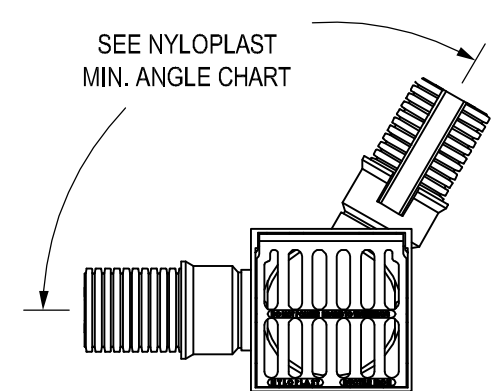
DEPARTMENT OF PUBLIC WORKS  
 CIVIL ENGINEERING  
 701 W. MARKHAM  
 LITTLE ROCK, ARKANSAS 72201



DRAWN BY	MJT
DESIGNED	MJT
CHECKED	CGW
DATE	03-04-2024
SCALE	N.T.S.
PROJECT NO.	##
SHEET NO.	C2

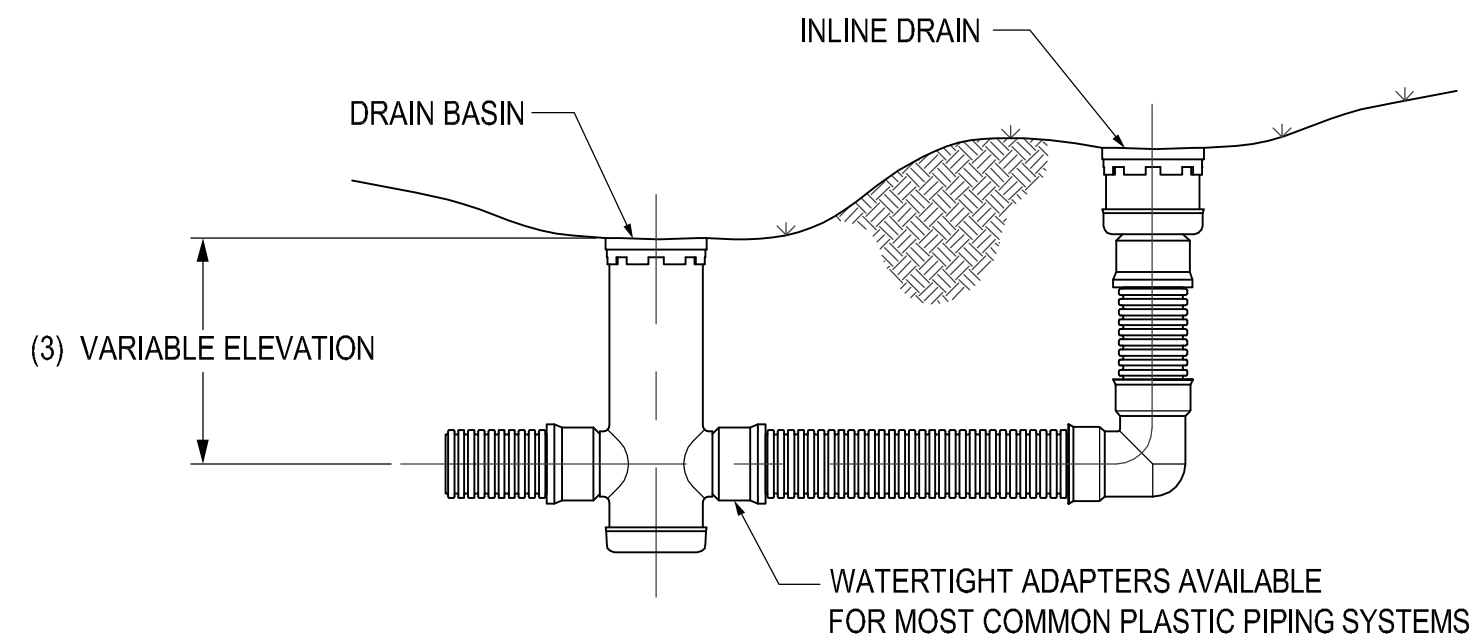


**TYPICAL 12" BASIN**



**CHANGE IN PIPE ANGLES**

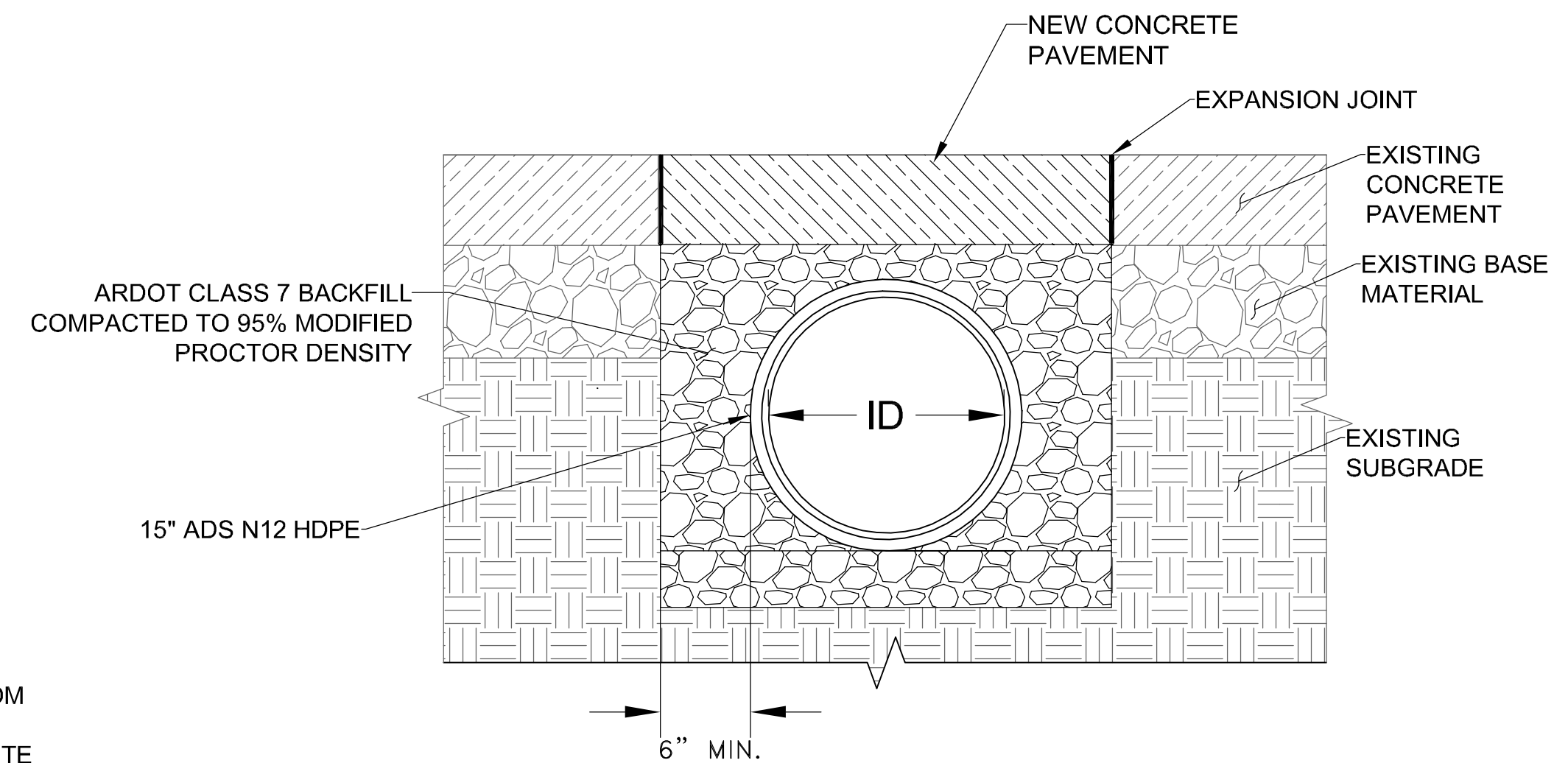
NOTE:  
 DETAILS ARE PULLED FROM  
 ADVANCED DRAINAGE  
 SYSTEM, INC (ADS) WEBSITE  
 - USED AS BASIS OF DESIGN  
 - SUBMIT PROPOSED  
 ALTERNATIVE PRIOR TO  
 CONSTRUCTION



**2 NYLOPLAST DRAIN TYPICAL INSTALLATION DETAIL**

NOT TO SCALE

- 1 - STRUCTURES & ADAPTERS AVAILABLE IN SIZES 8" - 30" - USE 12"
- 2 - ADAPTERS CAN BE MOUNTED ON ANY ANGLE 0° TO 360°, TO DETERMINE MINIMUM ANGLE BETWEEN ADAPTERS SEE DRAWING NO. 7001-110-012



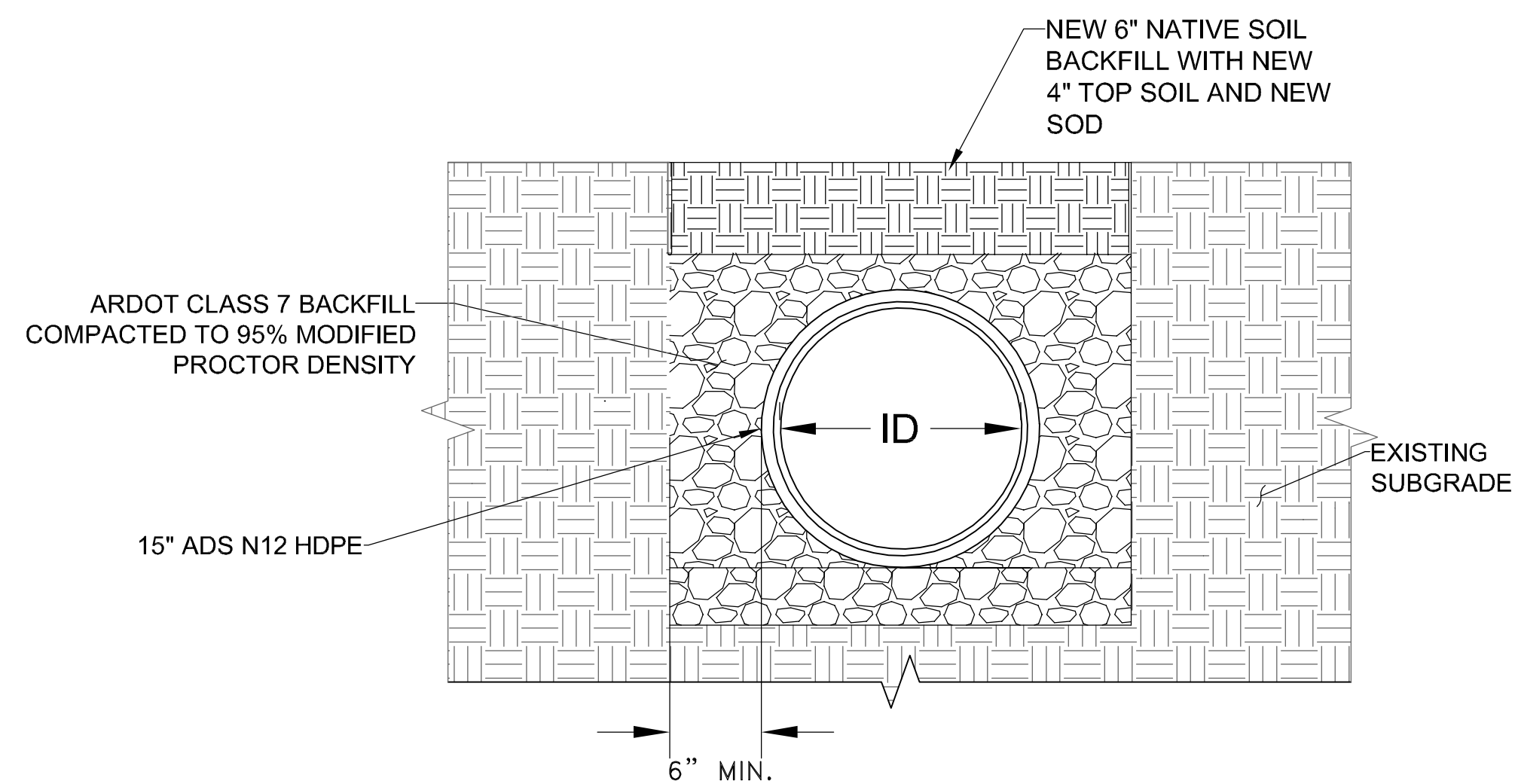
**3 PIPE EMBEDMENT UNDER PAVEMENT**

NOT TO SCALE

- 1 - NYLOPLAST 12" FRAMES & SOLID COVERS/GRATES SHALL CONFORM TO ASTM A 536 GRADE 70-50-05 FOR DUCTILE IRON.
- 2 - ADAPTERS FOR DURASLOT CONNECTION RANGE BETWEEN 4"-24". SEE DRAWING NO. 7001-110-275 FOR ADS N-12 BELL INFORMATION.
- 3 - SLOT HEIGHT VARIES DEPENDING ON DESIGN CRITERIA. SLOT HEIGHT CAN RANGE FROM 2.5" TO 36". 15" - 24" BASINS WILL REQUIRE SLOTS TALLER THAN STANDARD 2.5" - 6" SLOTS.
- 4 - ENCASE ADAPTER IN CONCRETE TO SEAL CONNECTION BETWEEN ADS DURASLOT PIPE AND NYLOPLAST TEE BODY.
- 5 - RECTANGULAR SLOTS ARE TO BE CUT INTO BELL ON NYLOPLAST TEE DURING THE MANUFACTURING PROCESS TO ALLOW PIPE AND TEE TO FIT PROPERLY.
- 6 - DIMENSIONS ARE FOR REFERENCE ONLY. ACTUAL DIMENSIONS MAY VARY. DIMENSIONS ARE IN INCHES.

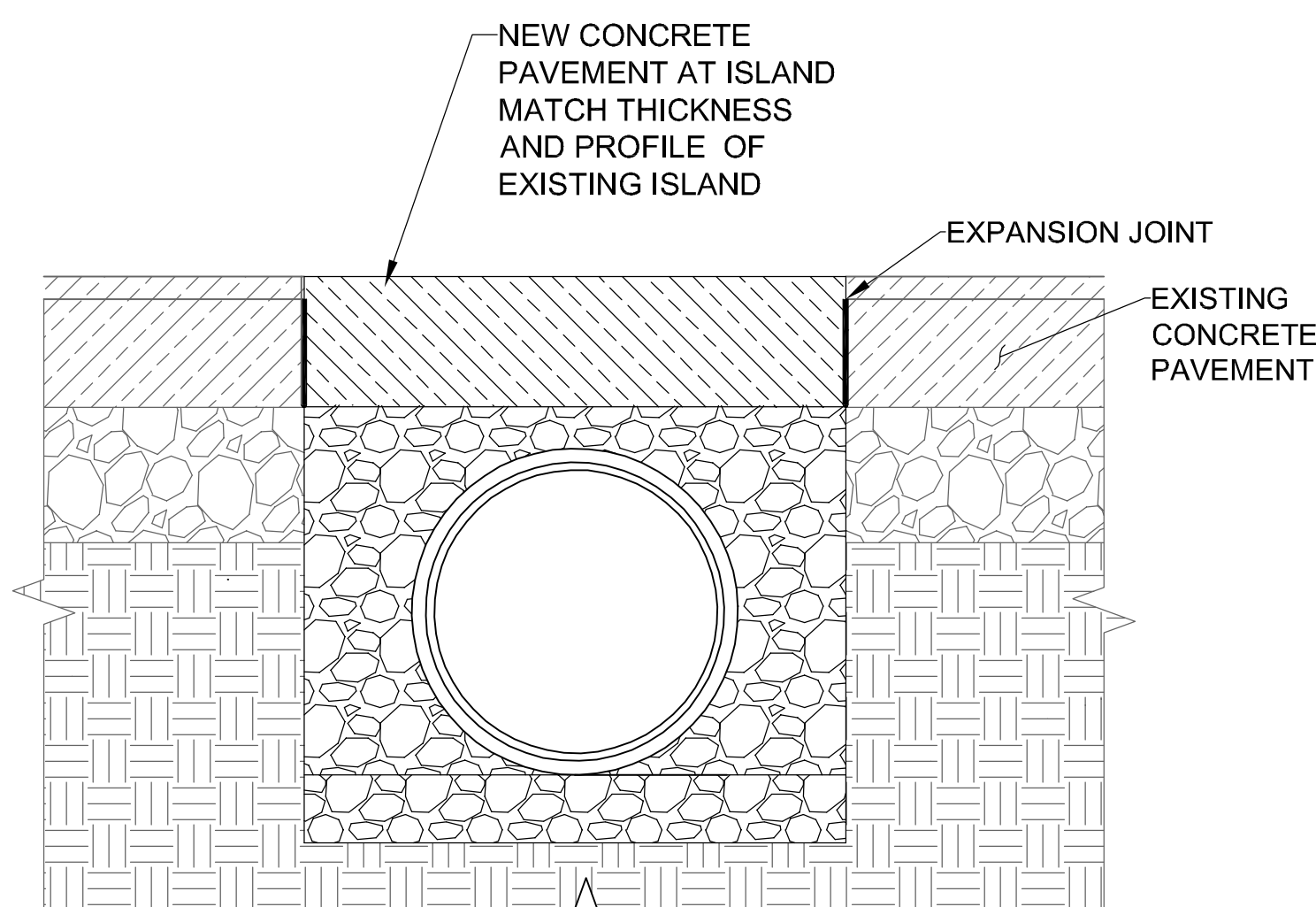
**1 NYLOPLAST DRAIN BASIN STANDARD DETAIL**

NOT TO SCALE



**4 PIPE EMBEDMENT IN SOIL**

NOT TO SCALE



**5 PAVEMENT AT DRIVEWAY ISLAND**

NOT TO SCALE

SEE DETAIL 3 FOR ADDITIONAL INFORMATION

REVISIONS	DATE

CITY OF LITTLE ROCK, ARKANSAS  
 WARD 5 05-22-DR-37 CHENAL PARKWAY  
 AT FITZROY APT  
 DETAIL SHEET

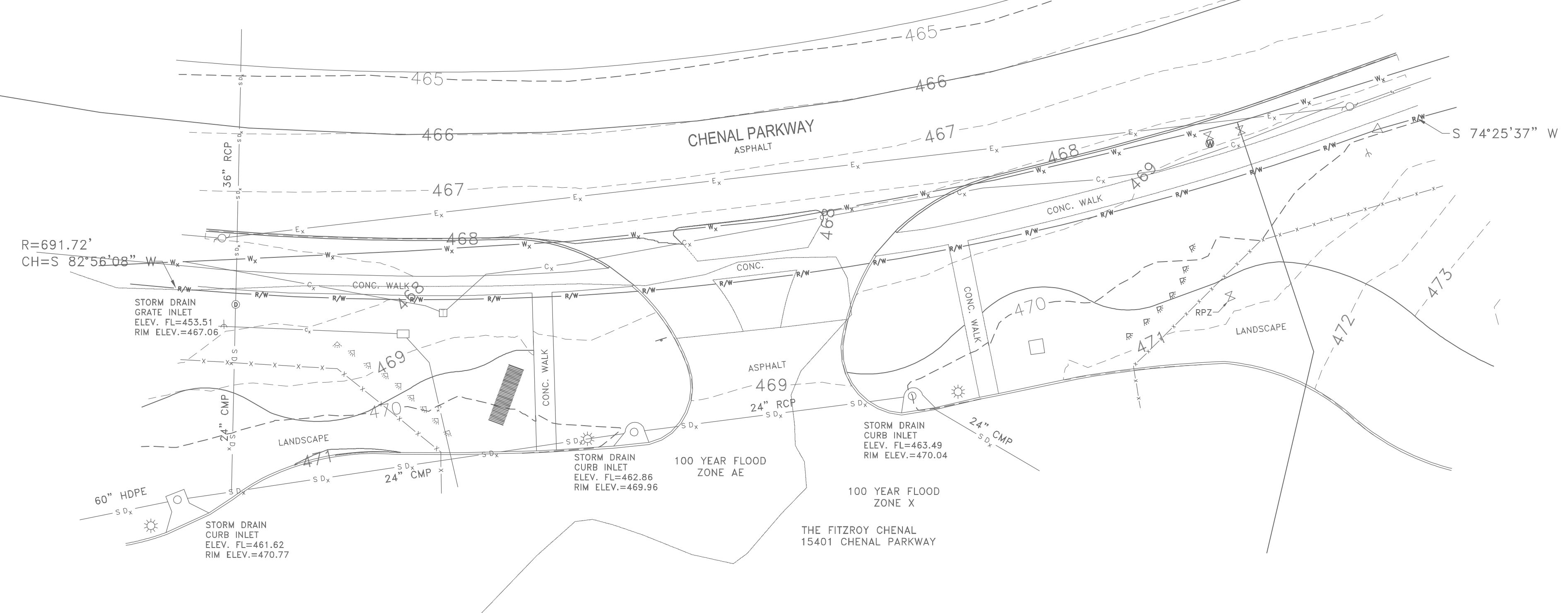
DEPARTMENT OF PUBLIC WORKS  
 CIVIL ENGINEERING  
 701 W. MARKHAM  
 LITTLE ROCK, ARKANSAS 72201

STATE OF ARKANSAS  
 PROFESSIONAL ENGINEER  
 No. 10669  
 MICHAEL TARINI  
 03-04-2024

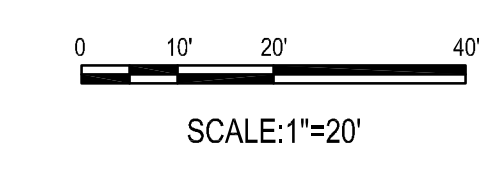
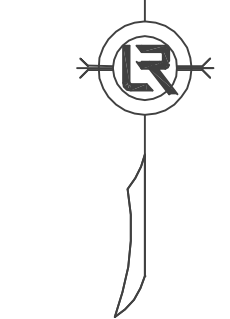
DRAWN BY	MJT
DESIGNED	MJT
CHECKED	CGW
DATE	03-04-2024
SCALE	N.T.S.
PROJECT NO.	##
SHEET NO.	C3


REVISIONS	DATE

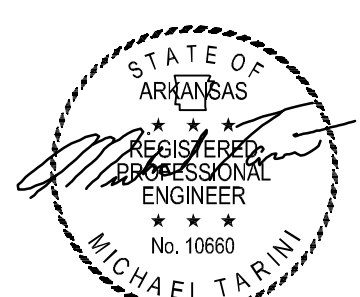
CITY OF LITTLE ROCK, ARKANSAS  
WARD 5 05-22-DR-37 CHENAL PARKWAY  
AT FITZROY APT  
EXISTING PLAN SHEET



- NOTE:**
1. THE INFORMATION AND/OR ELEVATIONS OF EXISTING UTILITIES AS SHOWN ON THIS SURVEY IS BASED ON RECORDS OF EXISTING UTILITY COMPANIES AND WHERE POSSIBLE MEASUREMENTS WERE TAKEN IN THE FIELD. THE INFORMATION IS NOT TO BE RELIED ON AS BEING COMPLETE. THE CONTRACTOR MUST HAVE EXISTING UTILITIES LOCATED PRIOR TO CONSTRUCTION.
  2. BASIS OF BEARINGS: ARKANSAS STATE PLANE COORDINATES NORTH ZONE



  
DEPARTMENT OF PUBLIC WORKS  
CIVIL ENGINEERING  
701 W. MARKHAM  
LITTLE ROCK, ARKANSAS 72201

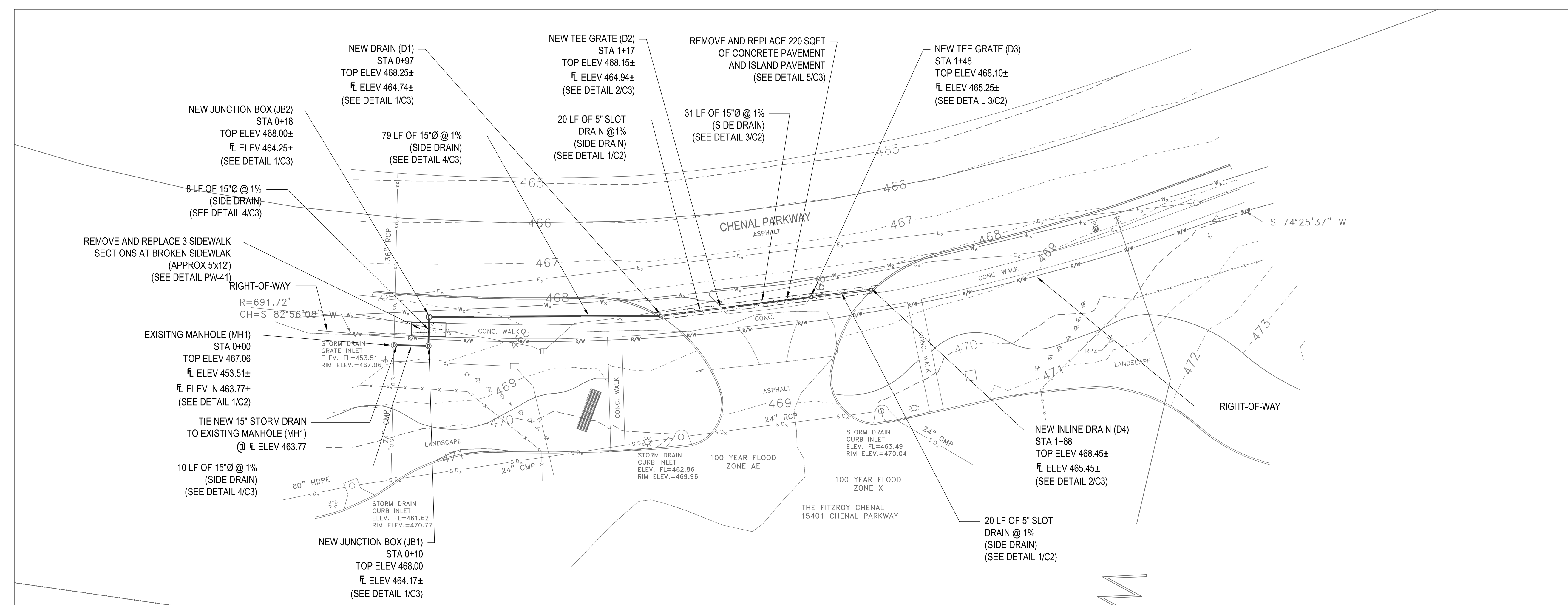
  
STATE OF ARKANSAS  
PROFESSIONAL ENGINEER  
No. 10660  
MICHAEL TARINI  
03-04-2024

<b>DRAWN BY</b> MJT
<b>DESIGNED</b> MJT
<b>CHECKED</b> CGW
<b>DATE</b> 03-04-2024
<b>SCALE</b> 20 SCALE
<b>PROJECT NO.</b> CLR #
<b>SHEET NO.</b> C4

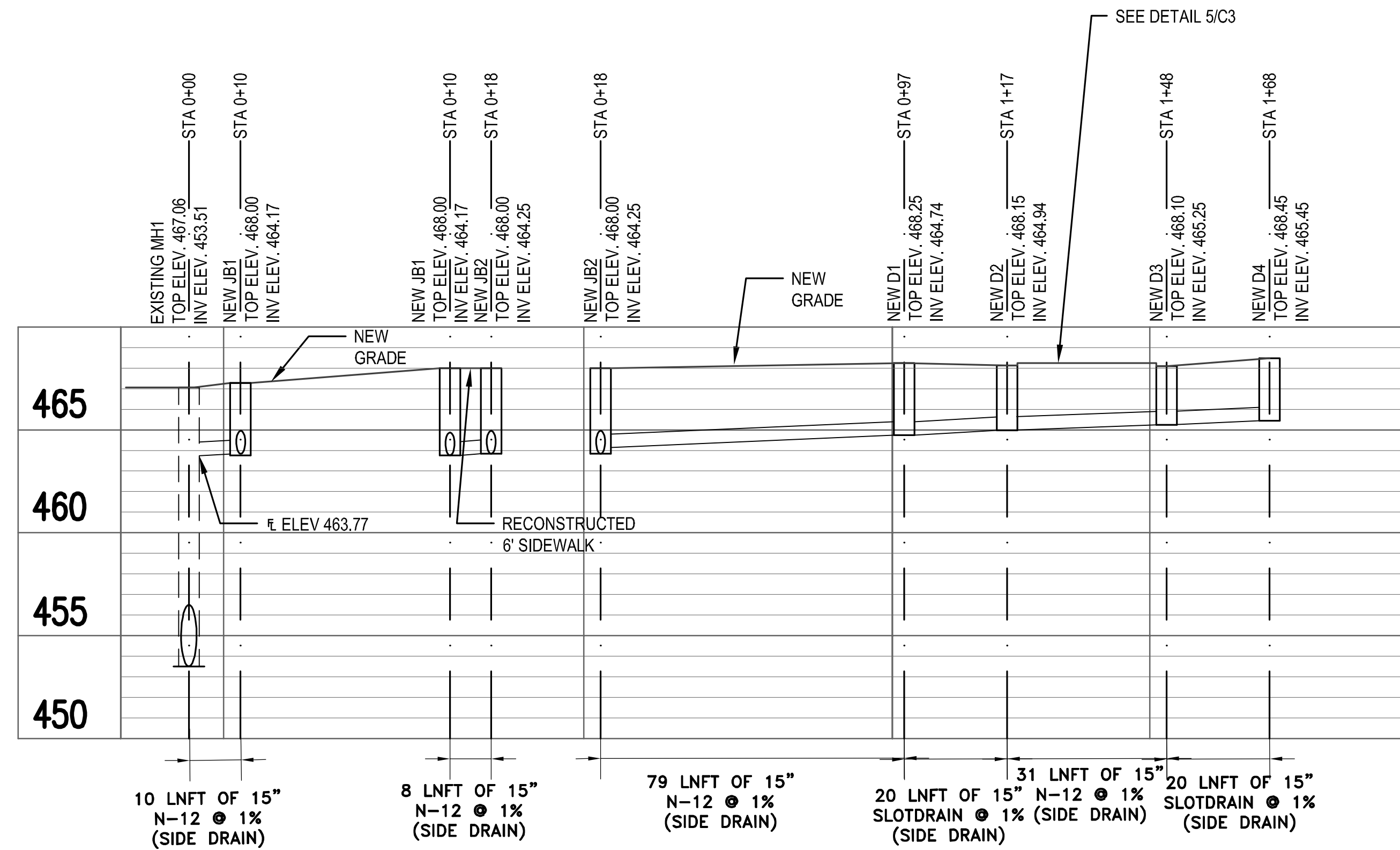
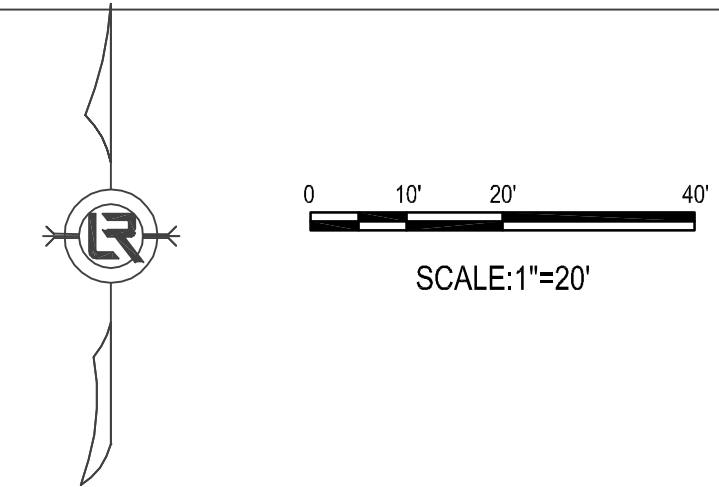


REVISIONS	DATE

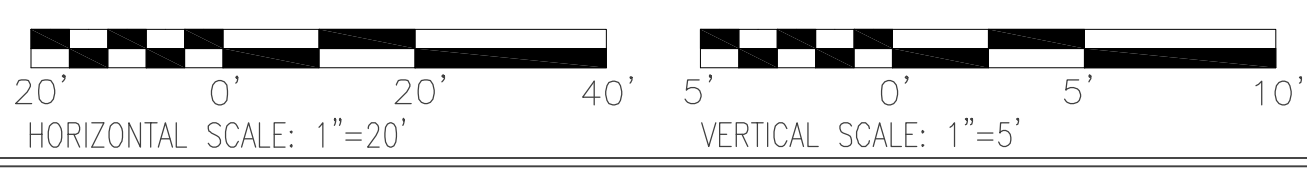
CITY OF LITTLE ROCK, ARKANSAS  
 WARD 05-22-DR-37 CHENAL PARKWAY  
 AT FITZROY APT  
 PLAN AND PROFILE SHEET




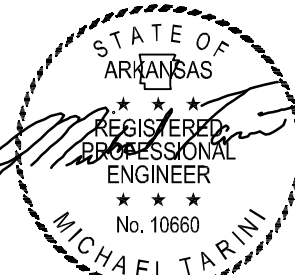
**NOTE:**  
 1. SAW CUT ALL IMPROVEMENTS AT REMOVAL LINES.



**NEW STORM DRAIN PROFILE**



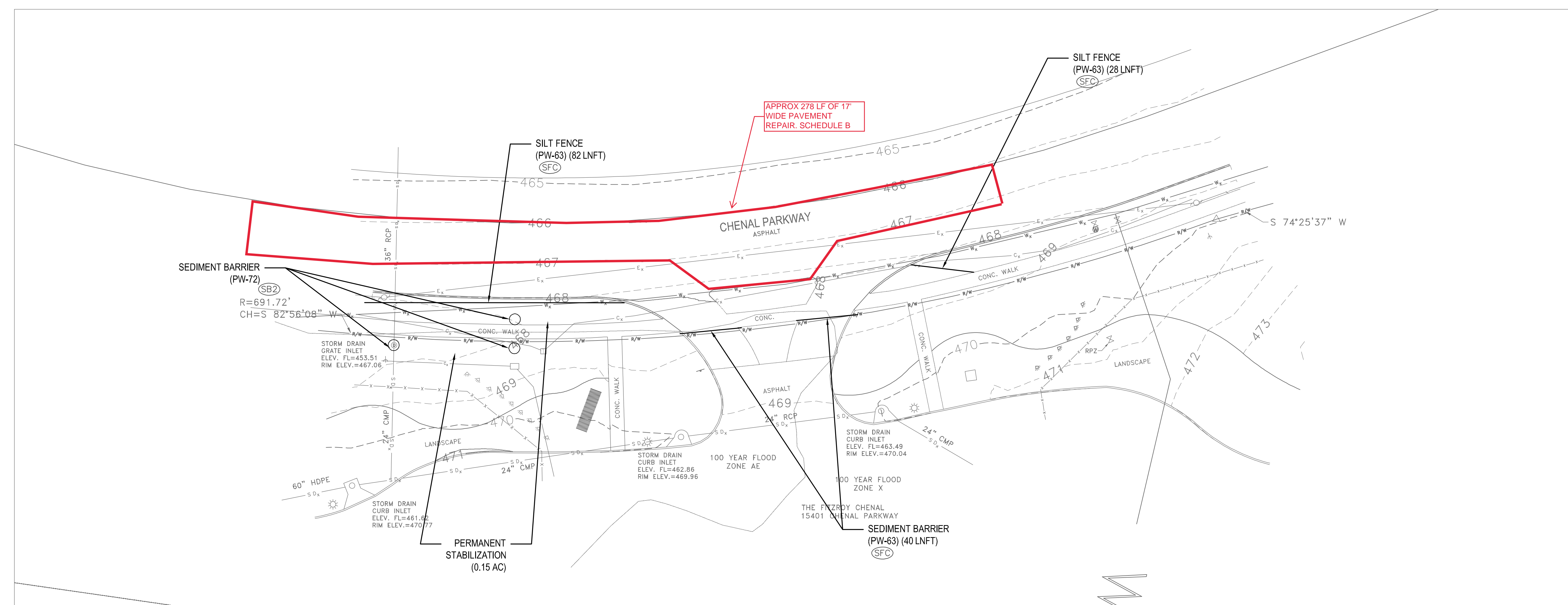
  
 DEPARTMENT OF PUBLIC WORKS  
 CIVIL ENGINEERING  
 701 W. MARKHAM  
 LITTLE ROCK, ARKANSAS 72201

  
 STATE OF ARKANSAS  
 PROFESSIONAL ENGINEER  
 No. 10669  
 MICHAEL TARINI  
 03-04-2024

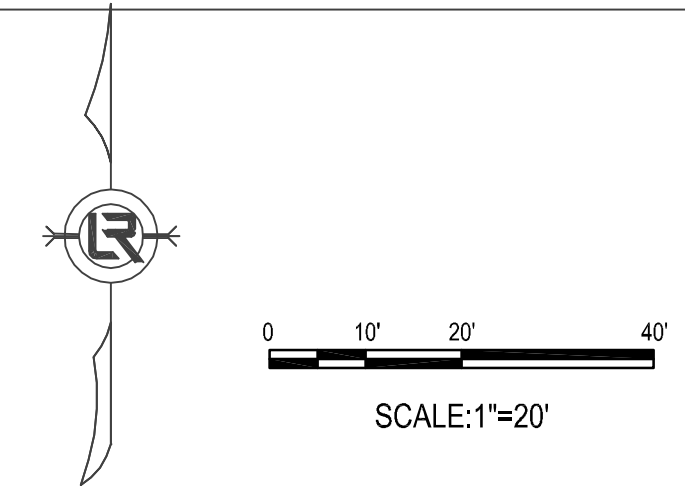
DRAWN BY  
 MJT  
 DESIGNED  
 MJT  
 CHECKED  
 CGW  
 DATE  
 03-04-2024  
 SCALE  
 20 SCALE  
 PROJECT NO.  
 CLR #  
 SHEET NO.  
**C5**


REVISIONS	DATE

CITY OF LITTLE ROCK, ARKANSAS  
 WARD 5 05-22-DR-37 CHENAL PARKWAY  
 AT FITZROY APT  
 EROSION CONTROL SHEET



- NOTE:
1. REFERENCE ARDOT STANDARD TRAFFIC CONTROLS FOR HIGHWAY CONSTRUCTION STANDARD DRAWING TC-1 FOR NOTES AND DETAILS.
  2. USE TYPE III BARRICADE FOR "ROAD CLOSED" SIGNS.
  3. "ROAD CLOSED" - USE RII-2




  
 DEPARTMENT OF PUBLIC WORKS  
 CIVIL ENGINEERING  
 701 W. MARKHAM  
 LITTLE ROCK, ARKANSAS 72201

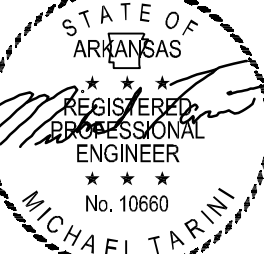
  
 STATE OF ARKANSAS  
 PROFESSIONAL ENGINEER  
 No. 10660  
 MICHAEL TARINI  
 03-04-2024

DRAWN BY  
 MJT  
 DESIGNED  
 MJT  
 CHECKED  
 CGW  
 DATE  
 03-04-2024  
 SCALE  
 20 SCALE  
 PROJECT NO.  
 CLR #  
 SHEET NO.  
 C6

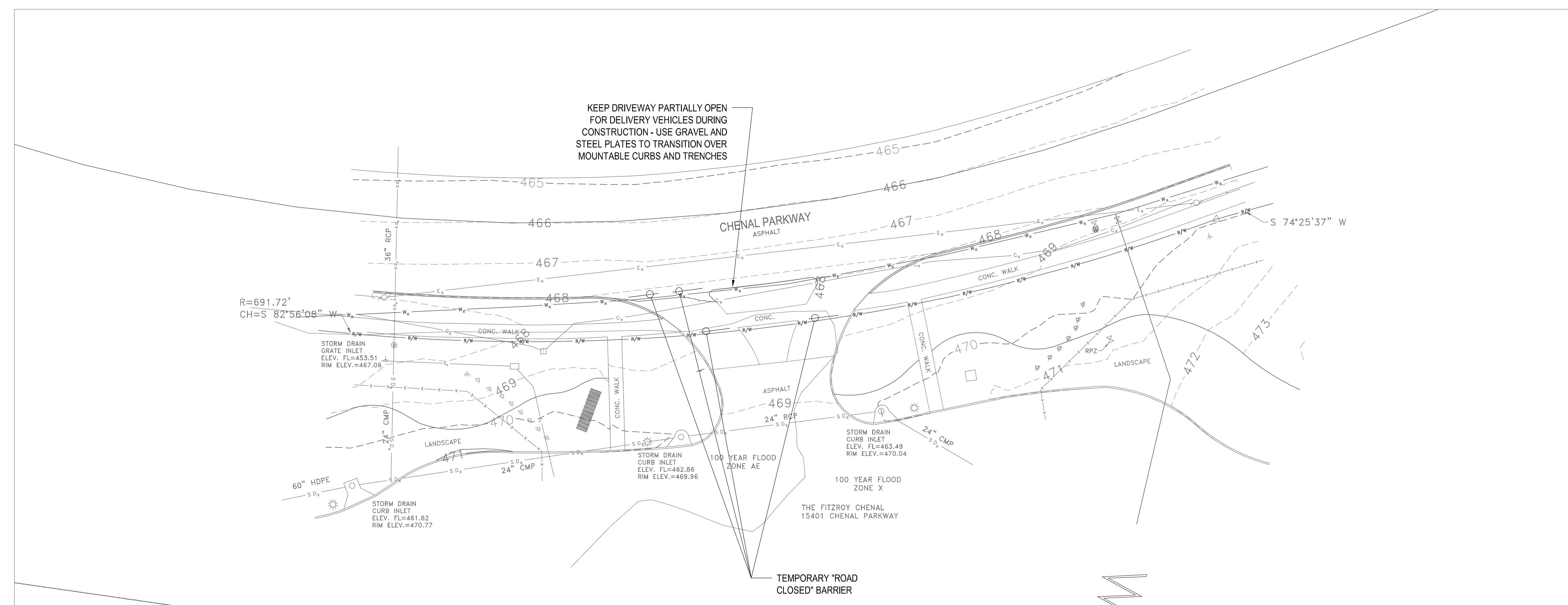
REVISIONS	DATE

CITY OF LITTLE ROCK, ARKANSAS  
WARD 5 05-22-DR-37 CHENAL PARKWAY  
AT FITZROY APT  
TRAFFIC MAINTENANCE SHEET

  
DEPARTMENT OF PUBLIC WORKS  
CIVIL ENGINEERING  
701 W. MARKHAM  
LITTLE ROCK, ARKANSAS 72201

  
STATE OF ARKANSAS  
PROFESSIONAL ENGINEER  
No. 10660  
MICHAEL TARINI  
03-04-2024

DRAWN BY MJT
DESIGNED MJT
CHECKED CGW
DATE 03-04-2024
SCALE 20 SCALE
PROJECT NO. CLR #
SHEET NO. C7



- NOTE:
1. REFERENCE ARDOT STANDARD TRAFFIC CONTROLS FOR HIGHWAY CONSTRUCTION STANDARD DRAWING TC-1 FOR NOTES AND DETAILS.
  2. USE TYPE III BARRICADE FOR "ROAD CLOSED" SIGNS.
  3. "ROAD CLOSED" - USE RII-2
  4. NOTIFY FITZROY APARTMENT COMPLEX 2 WEEKS PRIOR TO START OF CONSTRUCTION.

